

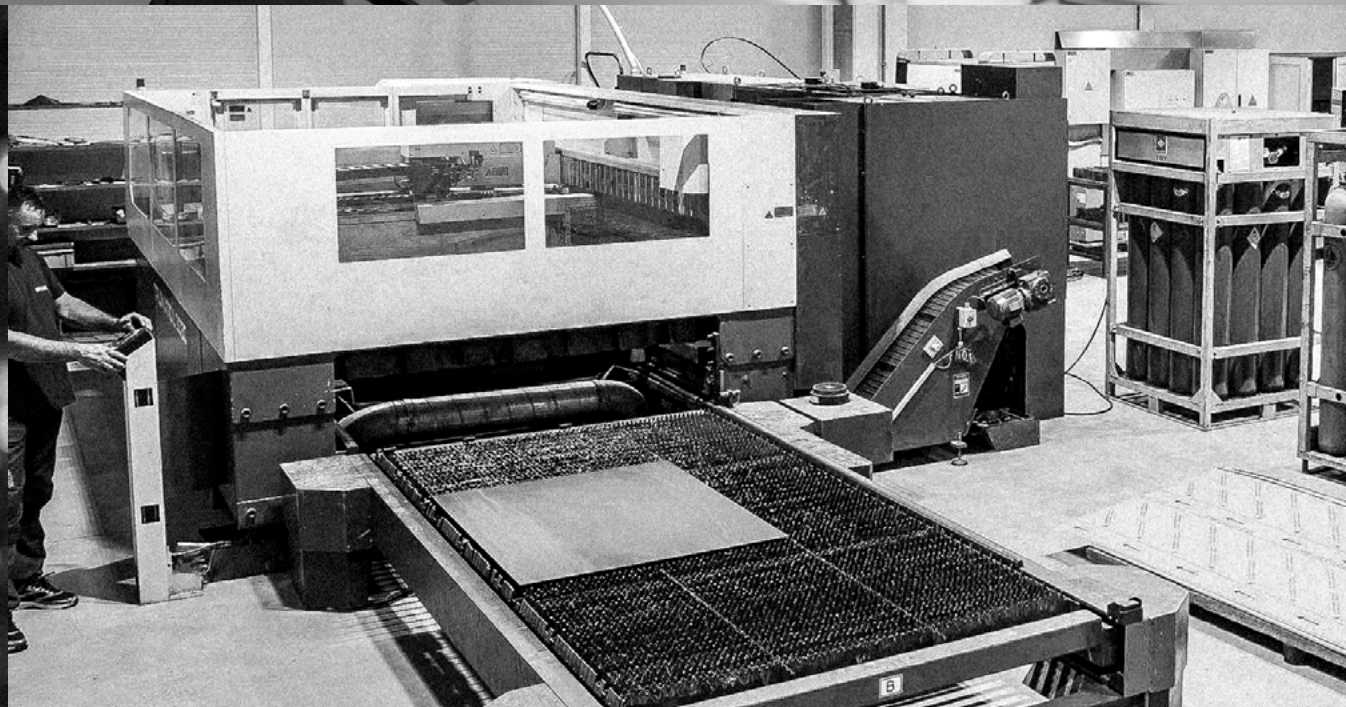
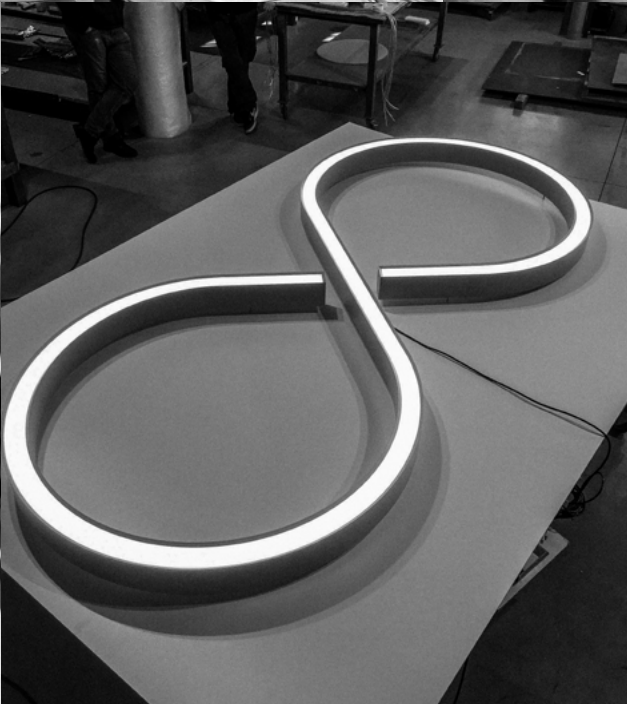


Lighting defined





Since our foundation in 1998, ALM's mission is to be a leader in the manufacturing of architectural lighting. We understand light and endeavor to improve the integration between light and architecture. ALM is a manufacturer of innovative, high-quality lighting. With both a standard fixture series and custom design, we offer an unlimited choice of designs, materials, finishes, and lighting options. We are a complete design, engineering, and manufacturing resource for architectural lighting products that are delivered throughout the world.



Project Lighting

A combination of standard and customizable products lending themselves to large projects that require multiple versions of the same style luminaires to accomplish the desired design intent. ALM is singularly focused on budget conscious opportunities that can take advantage of a flexible design approach and prime manufacturing to deliver value to the project.



inter•lux



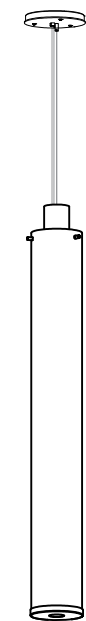
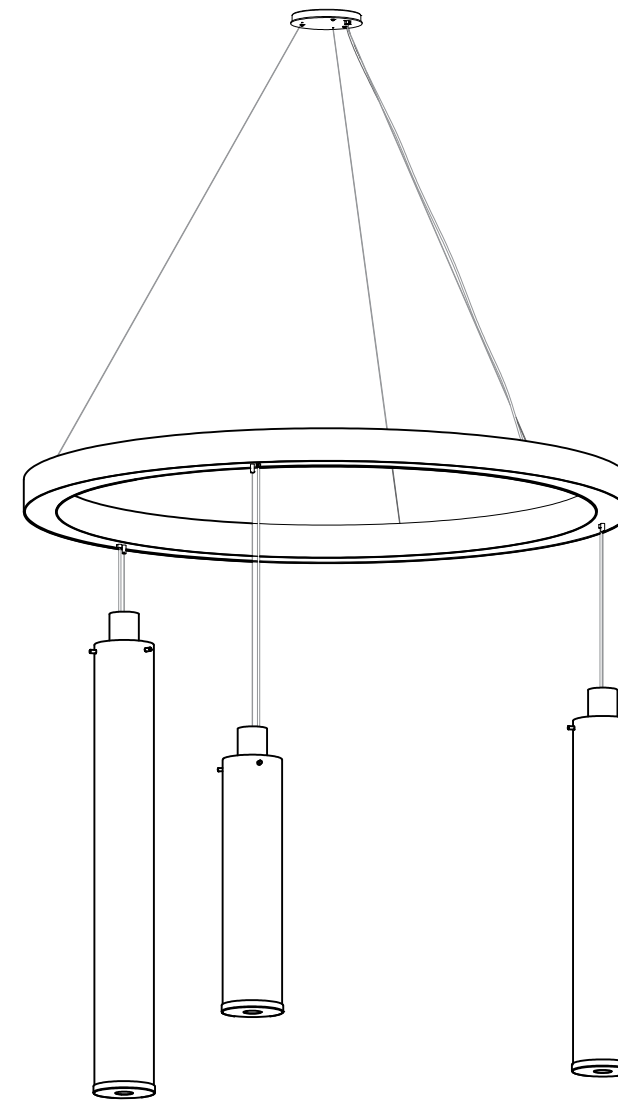
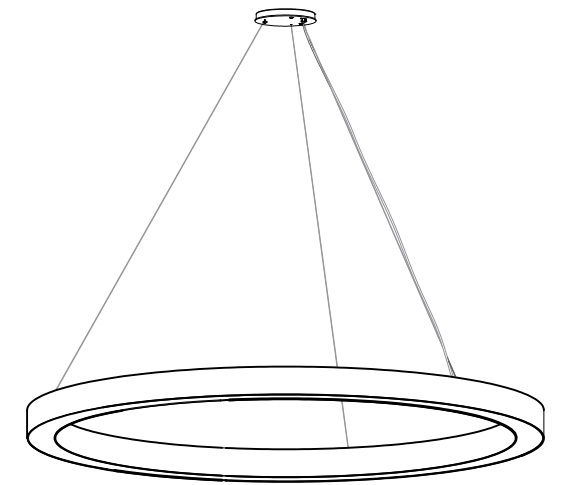
The Standard Product Range

The ALM Standards range is characterized by clean lines, architectural shapes and the latest, most efficient LED lighting sources and controls. By maintaining a no-frills approach to the standard products, ALM leaves a lot of room for the designer to tailor to their requirements and budget.



Assemblies

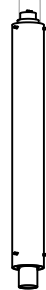
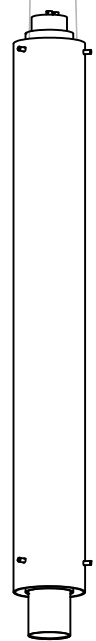
By combining Standards into Assemblies, new and significantly larger scale products can be configured that will extend the reach of the product range, as well as deliver continuity to the overall aesthetic and performance of the design.



Modified Standards

Families of luminaires in multiple sizes provide a wide selection of lighting performance characteristics that will accomplish the aesthetic as well as the illumination tasks. Often a modification is required to augment an architectural detail or to illuminate a feature. In that case, ALM is fully capable of meeting the design requirements.





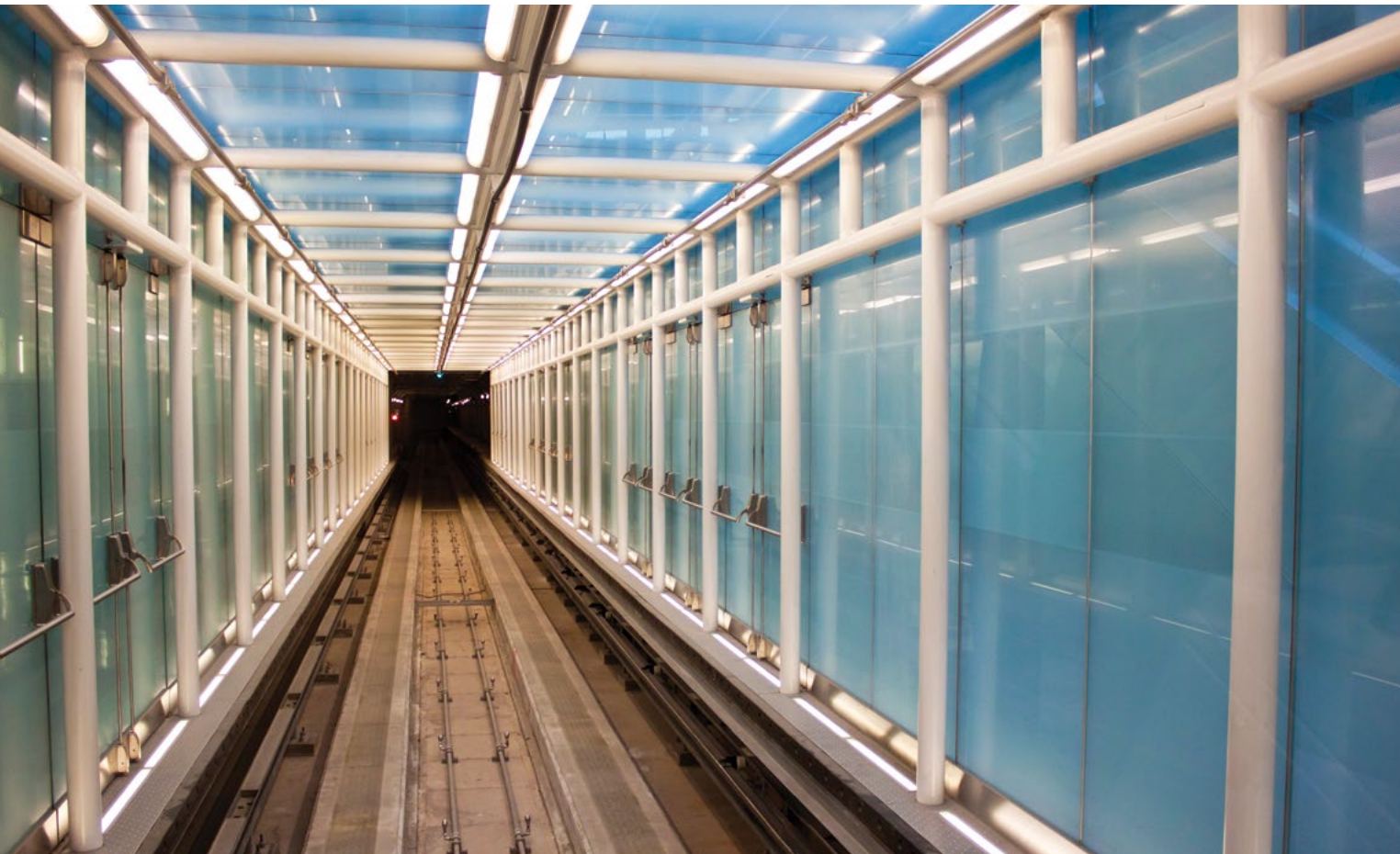
Modifications may include size, shape, finish and performance variants. ALM may be asked to take an indoor product outdoor, change the mounting from pendant to wall mount or add architectural details to an existing product that totally changes the aesthetic.

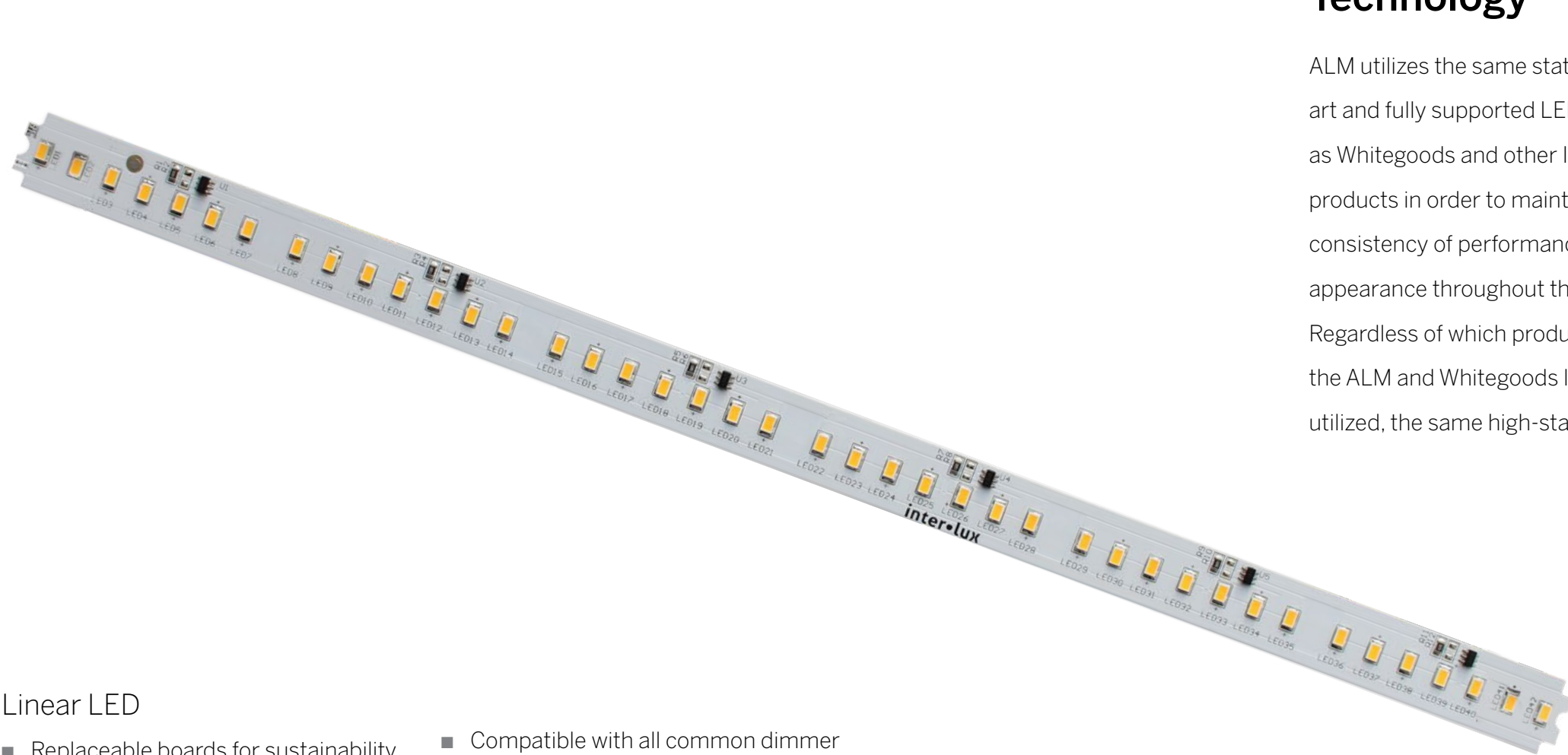
Custom

Often a truly unique product is required to accommodate differing scale spaces, and lighting applications while maintaining a common appearance and language.

ALM will produce custom lighting products to fit most commercial projects while maintaining a budget.

- Larger or smaller scale
- Outdoor versions of indoor products
- Adding separately controlled uplight or downlight components
- Designed hanging structures for single or multiple products
- Color changing or dynamic white light
- Finish or material changes to match or contrast architectural elements
- Standard, modified and or complete custom





Technology

ALM utilizes the same state-of-the-art and fully supported LED solutions as Whitegoods and other Inter-lux products in order to maintain a consistency of performance and appearance throughout the project. Regardless of which product in the ALM and Whitegoods lines are utilized, the same high-standards

are applied, bringing you consistency of CRI, lumen output, dimming characteristics and performance data. Look for the Inter-lux CV or CC LED board data on all linear products, as well as the Cree LED reference to ensure that you are adequately matching your LED products.

Linear LED

- Replaceable boards for sustainability.
- Available in any continuous length to accommodate exacting installations.
- Multiple wattages and lumen output for maximum flexibility within any application.
- 90 + CRI.
- 3 step MacAdam.
- Three standard color temperatures 3000K, 3500K, 4000K.
- Compatible with all common dimmer and control standards.
- High efficiency design delivers more lumens per watt.
- Consistent throughout ALM products for color and performance consistency.
- 5-year warranty.



For discrete LED engine requirements, ALM standardizes on the latest state-of-the-art devices, and maintains consistency throughout the range, as well as matching with other Inter-lux Brand offerings.

Contents

ceiling



Stick M 21

pendant



Arc 65 25



Arc 100 27



Aura 31



Aline 70 33



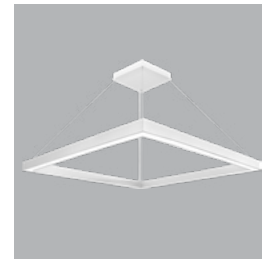
Delta 40 34



Delta 50 36



Eclipse 50 39



Frame 50 41



Frame 70 43



Gran Fuse 45



Linea 50 47



Ring 65 49

pendant



Ring 100 51



Secant 50 53



Step 55



Step RC 57



Stick AT 59



Stick MT 61



Stick M 63



Wing AR 65

surface



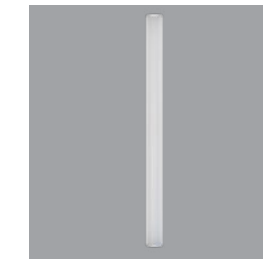
Aline 70 67



Aura 71



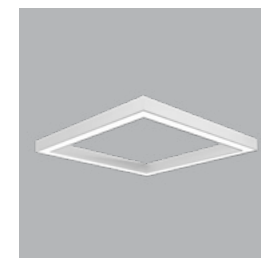
Delta 40 73



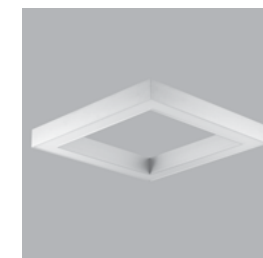
Delta 50 75



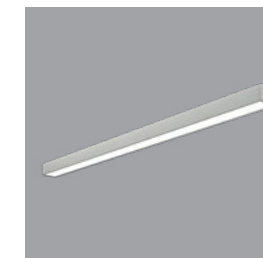
Eclipse 50 77



Frame 50 79



Frame 70 81



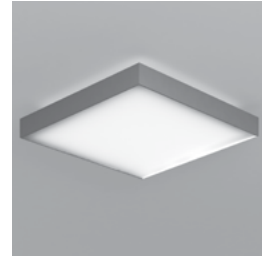
Linea 50 83

Contents

surface



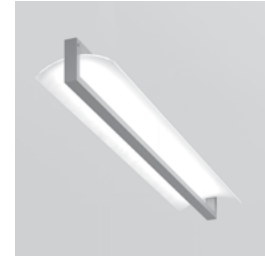
Secant 50 85



Step 87



Step RC 89



Wing AR 91

wall



City Indoor 95



Sigma Indoor 97



Wedge Indoor 99

outdoor



City Outdoor 103



Sigma Outdoor 105



Wedge Outdoor 107





Ceiling



Stick M

CEILING

Direct illumination

Model 1593

Type

C Ceiling

Size

12 12.0" (305mm)
Custom

Wattage^{1,2}

M 8.4W (1310lm)
H 12.6W (1710lm)

Color Temp

30 3000
35 3500
40 4000

Voltage

U 120/277 Volt

Driver

RD Remote
ID Integral

Control - (RD/ID)

S Non-dim
D010 0-10V 1%
ECO30W EldoLED 0-10V 1% (remote only)
Lutron Hi-lume 1% EcoSystem (remote only)
PEQ0 Lutron Hi-lume Premier 0.1% EcoSystem (remote only)

Diffuser

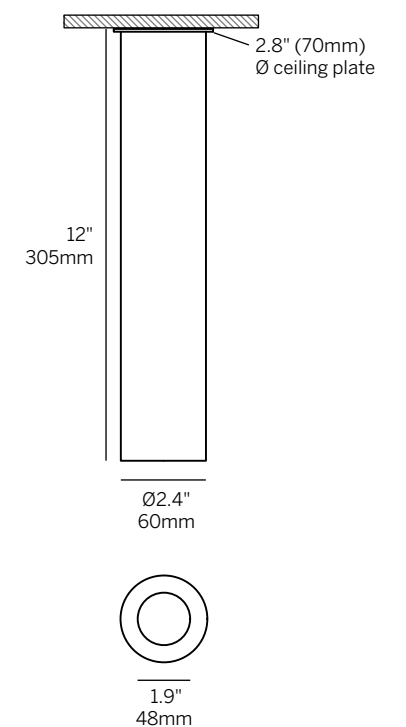
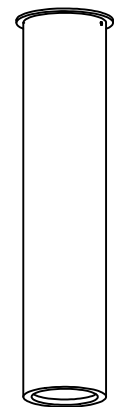
SA Satin clear acrylic

Finish

19 Painted anodized aluminum - RAL 9006 matte
21 Painted white - RAL 9010 matte
26 Painted black - RAL 9005 matte
22 Painted custom color

Notes

- 1 Nominal lumens value specified
- 2 Downlight LED module, constant current 18 Volt 500 mA - 8.4 W, 700 mA - 12.6 W 90+ CRI standard
- 3



index

technical
information



Pendant



Arc 65

PENDANT

Direct, indirect or direct-indirect illumination

Model 1694¹

Type

P Pendant

Size

Specify radius
Specify length
For customized shapes, please include a layout drawing or advise desired shape

Wattage^{2,3}

Direct ⁴	Indirect ⁵
LD	LI
3 W/ft (400 lm/ft)	3 W/ft (400 lm/ft)
10 W/m (1,335 lm/m)	10 W/m (1,335 lm/m)
MD	MI
6 W/ft (743 lm/ft)	6 W/ft (743 lm/ft)
20 W/m (2,475 lm/m)	20 W/m (2,475 lm/m)

XD-No Direct XI-No Indirect

Color Temp⁶

30	3000
35	3500
40	4000

Voltage

U 120/277 Volt

Driver

RD Remote

Control - RD

S	Non-dim
D010	0-10V 10%
L3DAE	Lutron Hi-lume 1% EcoSystem
L3DOE	Lutron Hi-lume Premier 0.1% EcoSystem

Diffuser Bottom

SW	Satin opal acrylic
CB	Aluminum-painted to match the fixture

Diffuser Top

SA	Satin clear acrylic
CT	Aluminum-painted to match the fixture

Finish⁷

19	Painted anodized aluminum - RAL 9006 matte
21	Painted white - RAL 9010 matte
26	Painted black - RAL 9005 matte
22	Painted custom color

Mounting

SC Straight cables

Circuit

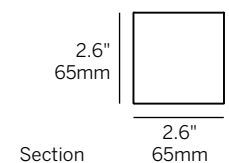
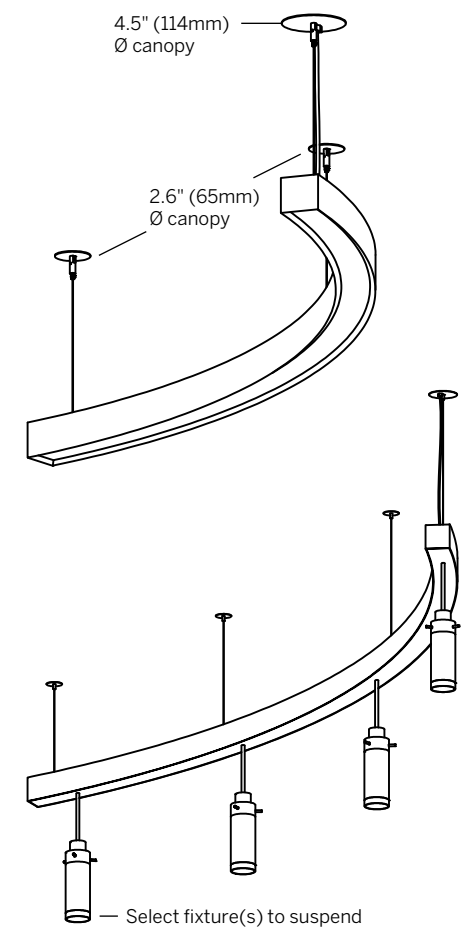
CS	Circuit - Single
CD	Circuit - Dual

Power Cable⁸

CC	Clear insulated cable (standard)
WC	White cable
BC	Black cable

Notes

- 1 Separately specify any downlighting elements
- 2 Nominal lumens value specified
- 3 Linear LED board, constant voltage 24 Volt
- 4 For no Direct light specify XD
- 5 For no Indirect light specify XI
- 6 90+ CRI standard
- 7 Canopy finish matches housing
- 8 96" standard cable length



index

technical
information



Arc 100

PENDANT

Direct, indirect or direct-indirect illumination

Model 1695¹

Type

P Pendant

Size

Specify radius

Specify length

For customized shapes, please include a layout drawing or advise desired shape

Wattage^{2,3}

Direct⁴

LD

3 W/ft (400 lm/ft)

10 W/m (1,335 lm/m)

MD

6 W/ft (743 lm/ft)

20 W/m (2,475 lm/m)

Indirect⁵

LI

3 W/ft (400 lm/ft)

10 W/m (1,335 lm/m)

MI

6 W/ft (743 lm/ft)

20 W/m (2,475 lm/m)

XD-No Direct

XI-No Indirect

Color Temp⁶

30 3000

35 3500

40 4000

Voltage

U 120/277 Volt

Driver

RD Remote

Control - RD

S Non-dim

D010 0-10V 10%

L3DAE Lutron Hi-lume 1% EcoSystem

L3DOE Lutron Hi-lume Premier 0.1% EcoSystem

Diffuser Bottom

SW Satin opal acrylic

CB Aluminum-painted to match the fixture

Diffuser Top

SA Satin clear acrylic

CT Aluminum-painted to match the fixture

Finish⁷

19 Painted anodized aluminum - RAL 9006 matte

21 Painted white - RAL 9010 matte

26 Painted black - RAL 9005 matte

22 Painted custom color

Mounting

SC Straight cables

Circuit

CS Circuit - Single

CD Circuit - Dual

Power Cable⁸

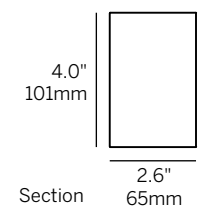
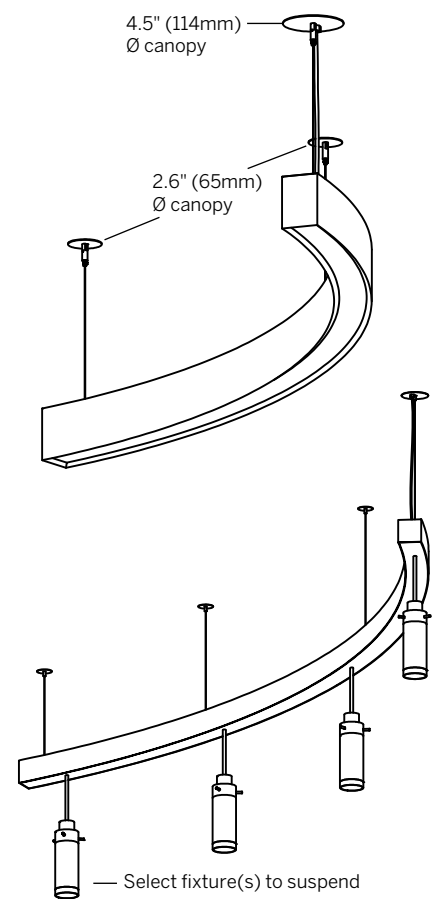
CC Clear insulated cable (standard)

WC White cable

BC Black cable

Notes

- 1 Separately specify any downlighting elements
- 2 Nominal lumens value specified
- 3 Linear LED board, constant voltage 24 Volt
- 4 For no Direct light specify XD
- 5 For no Indirect light specify XI
- 6 90+ CRI standard
- 7 Canopy finish matches housing
- 8 96" standard cable length



index

technical
information



Aura

PENDANT

Direct illumination with indirect glow

Model 1520

Type

P Pendant

Size

15	15.6" (396mm)
18	18.6" (472mm)
22	22.6" (574mm)
25	25.6" (651mm)
30	30.0" (763mm)
36	36.0" (915mm)
Custom	

Wattage^{1,2}

15"	
L	8W (1065lm)
M	16W (1980lm)
18"	
L	11W (1465lm)
M	22W (2725lm)
22"	
L	16W (2135lm)
M	32W (3965lm)
25"	
L	24W (3200lm)
M	48W (5945lm)
30"	
L	38W (5065lm)
M	76W (9410lm)
36"	
L	56W (7465lm)

Color Temp³

30	3000
35	3500
40	4000

Voltage

U 120/277 Volt

Driver^{4,5}

RD Remote
ID Integral

Control - (RD/ID)

S Non-dim
D010 0-10V 1%
L3DAE Lutron Hi-lume 1% EcoSystem
L3DOE Hi-lume Premier 0.1% EcoSystem (remote only)

Diffuser Bottom

SW Satin opal acrylic

Diffuser Top

SA Satin clear acrylic

Finish⁶

19 Painted anodized aluminum - RAL 9006 matte
21 Painted white - RAL 9010 matte
26 Painted black - RAL 9005 matte
22 Painted custom color

Mounting

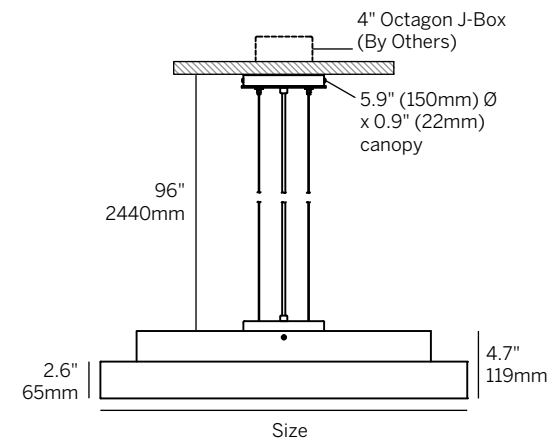
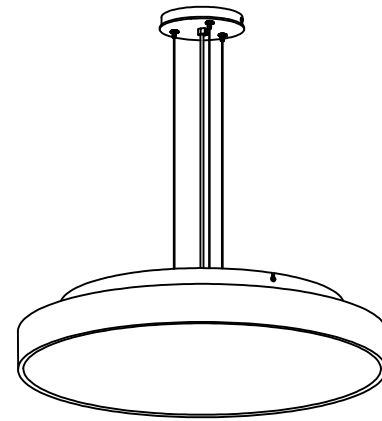
CE Center canopy

Power Cable⁷

CC Clear insulated cable (standard)
WC White cable
BC Black cable

Notes

- 1 Nominal lumens value specified
- 2 Linear LED board, constant voltage 24 Volt
- 3 90+ CRI standard
- 4 Remote driver for 15" and 18" sizes
- 5 Integral or remote driver for 22", 25", 30" and 36" sizes
- 6 Canopy finish matches housing
- 7 96" standard cable length



Aline 70

PENDANT

Direct or direct-indirect illumination



Model 1550

Type

P Pendant

Size

48 49.1" (1246mm)
 60 60.9" (1547mm)
 72 72.8" (1848mm)
 84 84.6" (2149mm)
 Custom

Wattage^{1,2}

Direct	Indirect ³
48"	
LD 12W (1600lm)	LI 12W (1600lm)
MD 24W (2970lm)	MI 24W (2970lm)
60"	
LD 15W (2000lm)	LI 15W (2000lm)
MD 30W (3715lm)	MI 30W (3715lm)
72"	
LD 18W (2400lm)	LI 18W (2400lm)
MD 36W (4460lm)	MI 36W (4460lm)
84"	
LD 21W (2800lm)	LI 21W (2800lm)
MD 42W (5200lm)	MI 42W (5200lm)
	XI-No Indirect

Color Temp⁴

30 3000
 35 3500
 40 4000

Voltage

U 120/277 Volt

Driver

RD Remote

Control - RD

S Non-dim
 D010 0-10V 10%
 L3DAE Lutron Hi-lume 1% EcoSystem
 L3DOE Hi-lume Premier 0.1% EcoSystem

Diffuser Bottom

SW Satin opal acrylic

Diffuser Top

SA Satin clear acrylic
 CT Aluminum-painted to match the fixture

Finish⁵

16 Clear anodized aluminum
 21 Painted white - RAL 9010 matte
 26 Painted black - RAL 9005 matte
 22 Painted custom color

Mounting

SC Straight cables

Circuit

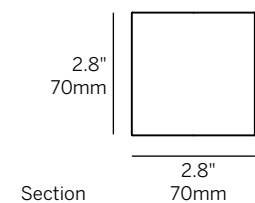
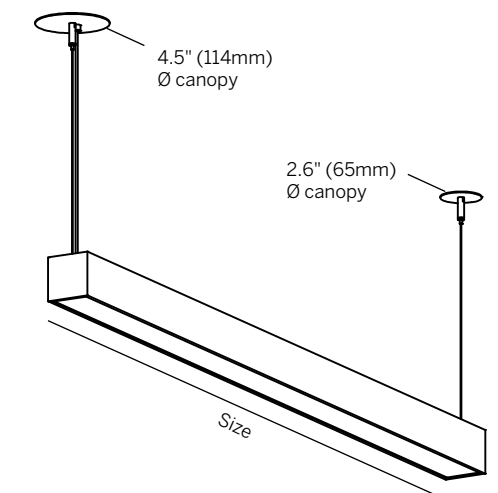
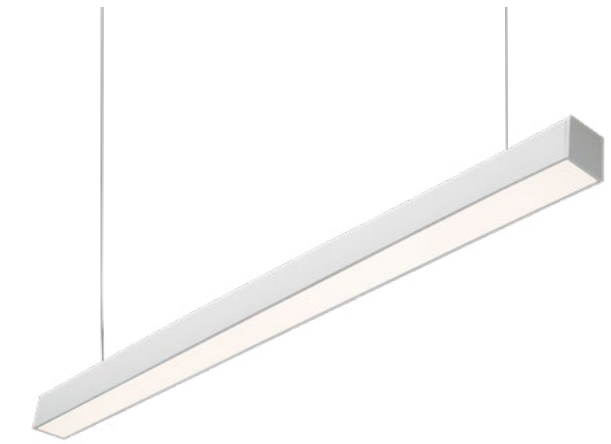
CS Circuit - Single
 CD Circuit - Dual

Power Cable^{6,2}

CC Clear insulated cable (standard)
 WC White cable
 BC Black cable

Notes

- Nominal lumens value specified
- Linear LED board, constant voltage 24 Volt
- For no indirect light specify XI
- 90+ CRI standard
- Canopy finish matches housing
 For Clear anodized aluminum finish, canopy finish will be painted anodized aluminum
- 96" standard cable length





Delta 40

PENDANT

Direct illumination with indirect glow

Model 1770

Type

P Pendant

Size

26 26.4" (670mm)
 38 38.2" (971mm)
 50 50.0" (1271mm)
 Custom

Wattage^{1,2}

26"
 L 6W (800lm)
 M 12W (1485lm)
38"
 L 9W (1200lm)
 M 18W (2230lm)
50"
 L 12W (1600lm)
 M 24W (2970lm)

Color Temp³

30 3000
 35 3500
 40 4000

Voltage

U 120/277 Volt

Driver

RD Remote

Control - RD

S Non-dim
 D010 0-10V 10%
 L3DAE Lutron Hi-lume 1% EcoSystem
 L3DOE Hi-lume Premier 0.1% EcoSystem

Diffuser

SA Satin clear acrylic

Finish⁴

19 Painted anodized aluminum - RAL 9006 matte
 21 Painted white - RAL 9010 matte
 26 Painted black - RAL 9005 matte
 22 Painted custom color

Mounting

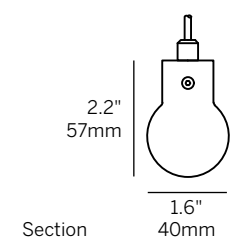
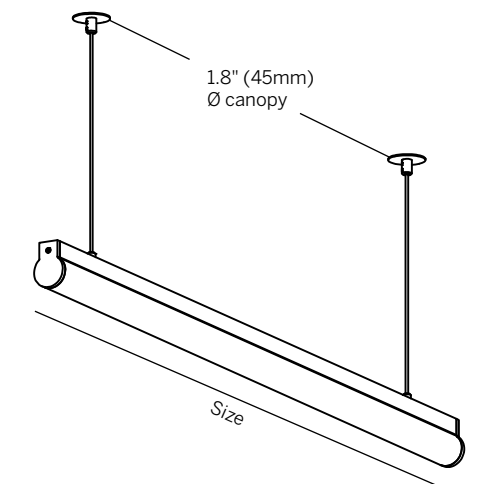
PC Power cable

Power Cable⁵

CC Clear insulated cable

Notes

- 1 Nominal lumens value specified
- 2 Linear LED board, constant voltage 24 Volt
- 3 90+ CRI standard
- 4 Canopy finish matches housing
- 5 96" standard power cable length





Delta 50

PENDANT

Direct illumination with indirect glow

Model 1771

Type

P Pendant

Size

26	26.4" (670mm)
38	38.2" (971mm)
50	50.0" (1271mm)
Custom	

Wattage^{1,2}

26"	
L	6W (800lm)
M	12W (1485lm)
38"	
L	9W (1200lm)
M	18W (2230lm)
50"	
L	12W (1600lm)
M	24W (2970lm)

Color Temp³

30	3000
35	3500
40	4000

Voltage

U 120/277 Volt

Driver

RD Remote

Control - RD

S	Non-dim
D010	0-10V 10%
L3DAE	Lutron Hi-lume 1% EcoSystem
L3DOE	Hi-lume Premier 0.1% EcoSystem

Diffuser

SA Satin clear acrylic

Finish⁴

19	Painted anodized aluminum - RAL 9006 matte
21	Painted white - RAL 9010 matte
26	Painted black - RAL 9005 matte
22	Painted custom color

Mounting

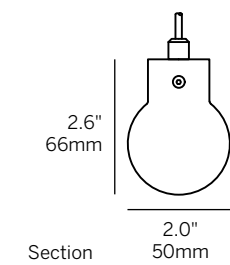
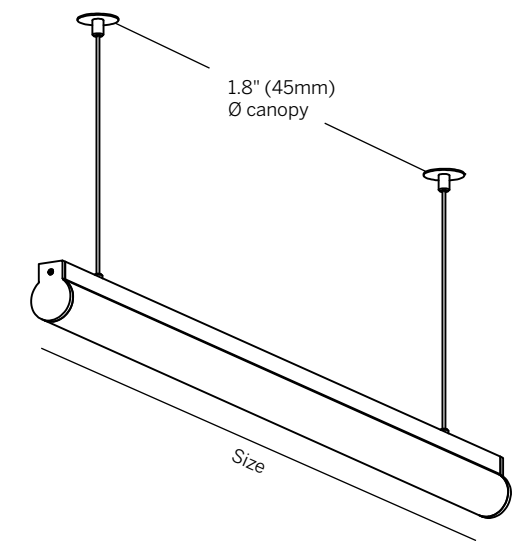
PC Power cable

Power Cable⁵

CC Clear insulated cable

Notes

- 1 Nominal lumens value specified
- 2 Linear LED board, constant voltage 24 Volt
- 3 90+ CRI standard
- 4 Canopy finish matches housing
- 5 96" standard power cable length





Eclipse 50

PENDANT

Direct, indirect or direct-indirect illumination

Model 1670

Type

P Pendant

Size

24	24.8" (631mm)
36	36.3" (921mm)
48	47.7" (1211mm)
60	59.1" (1500mm)
72	70.5" (1790mm)
Custom	

Wattage^{1,2}

Direct³

24"	LD 18W (2400lm)	LI 18W (2400lm)
	MD 36W (4460lm)	MI 36W (4460lm)
36"	LD 27W (3600lm)	LI 27W (3600lm)
	MD 54W (6685lm)	MI 54W (6685lm)
48"	LD 36W (4800lm)	LI 36W (4800lm)
	MD 72W (8915lm)	MI 72W (8915lm)
60"	LD 45W (6000lm)	LI 45W (6000lm)
	MD 90W (11145lm)	MI 90W (11145lm)
72"	LD 54W (7200lm)	LI 54W (7200lm)
	MD 108W (13375lm)	MI 108W (13375lm)

XD-No Direct

XI-No Indirect

Color Temp⁵

30	3000
35	3500
40	4000

Voltage

U 120/277 Volt

Driver

RD Remote
ID Integral

Control - RD

S Non-dim
D010 0-10V 1%
L3DAE Lutron Hi-lume 1% EcoSystem
L3DOE Lutron Hi-lume Premier 0.1% EcoSystem
X If integral driver is selected

Control-ID (in canopy - if selected)

S Non-dim
D010 0-10V 1%
X If remote driver is selected

Diffuser Bottom

SW Satin opal acrylic
CB Aluminum-painted to match the fixture

Diffuser Top

SA Satin clear acrylic
CT Aluminum-painted to match the fixture

Finish⁶

19 Painted anodized aluminum - RAL 9006 matte
21 Painted white - RAL 9010 matte
26 Painted black - RAL 9005 matte
22 Painted custom color

Mounting

SC Straight cables - remote driver
CERD Center canopy - remote driver
CEID Center canopy - integral driver

Circuit

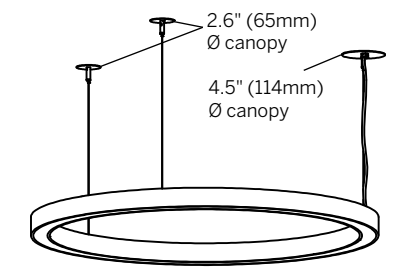
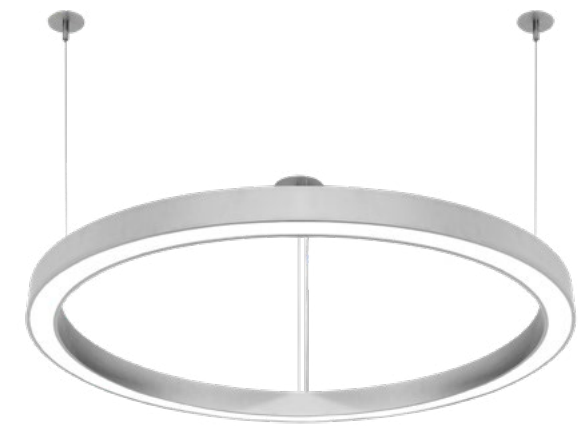
CS Circuit - Single
CD Circuit - Dual

Power Cable⁷

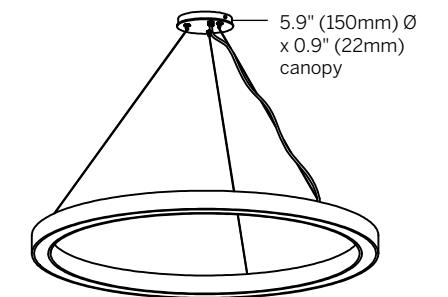
CC Clear insulated cable (standard)
WC White cable
BC Black cable

Notes

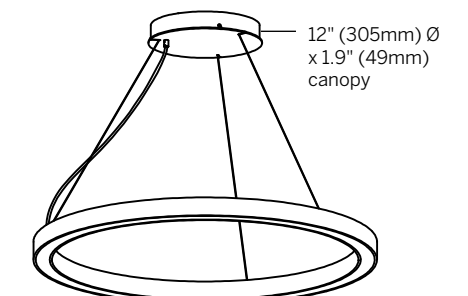
- Nominal lumens value specified
- Linear LED board, constant voltage 24 Volt
- For no Direct light specify XD
- For no Indirect light specify XI
- 90+ CRI standard
- Canopy finish matches housing
- 96" standard cable length



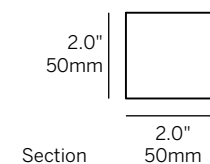
Size
Straight cables with remote driver



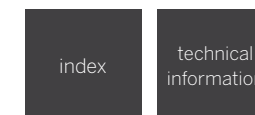
Center canopy with remote driver



Center canopy with integral driver



Section





Frame 50

PENDANT

Direct or Direct-Indirect illumination

Model 1546

Type

P Pendant

Size

26 26.0" [662mm]
 38 37.9" [963mm]
 50 49.7" [1262mm]
 Custom

Wattage^{1,2}

Direct³

26"
 LD 9W (1200lm)
 MD 18W (2230lm)
38"
 LD 12W (1600lm)
 MD 24W (2970lm)
50"
 LD 15W (2000lm)
 MD 30W (3715lm)

Indirect⁴

LI 9W (1200lm)
 MI 18W (2230lm)
 LI 12W (1600lm)
 MI 24W (2970lm)
 LI 15W (2000lm)
 MI 30W (3715lm)

XD-No Direct

XI-No Indirect

Color Temp⁵

30 3000
 35 3500
 40 4000

Voltage

U 120/277 Volt

Driver

RD Remote
 ID Integral (in canopy)

Control - RD

S Non-dim
 D010 0-10V 1%
 L3DAE Lutron Hi-lume 1% EcoSystem
 L3DOE Hi-lume Premier 0.1% EcoSystem

Control - ID (in canopy)

S Non-dim
 D010 0-10V 1%
 L3DAE Lutron Hi-lume 1% EcoSystem
 L3DOE Hi-lume Premier 0.1% EcoSystem

Diffuser Bottom

SA Satin clear acrylic
 CT Aluminum – painted to match the fixture

Finish⁵

16 Clear anodized aluminum
 21 Painted white - RAL 9010 matte
 26 Painted black - RAL 9005 matte
 22 Painted custom color

Mounting

SCRD Straight cables - remote driver
 SCID Straight cables - driver in canopy
 CERD Center canopy - remote driver
 CEID Center canopy - driver in canopy

Circuit

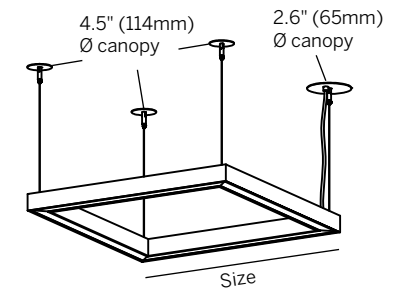
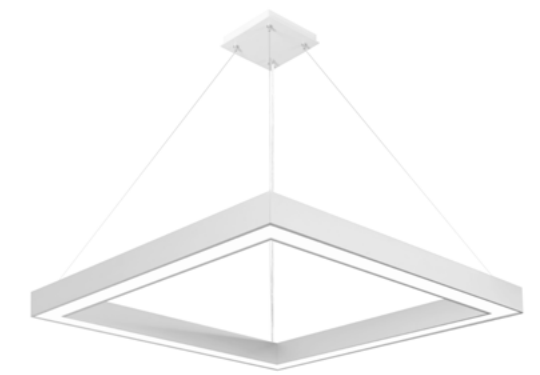
CS Circuit - Single
 CD Circuit - Dual

Power Cable⁶

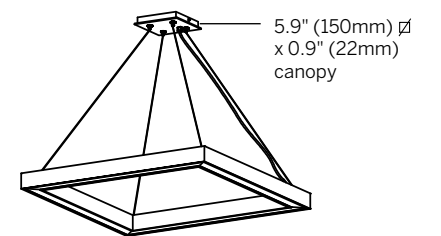
CC Clear insulated cable (standard)
 WC White cable
 BC Black cable

Notes

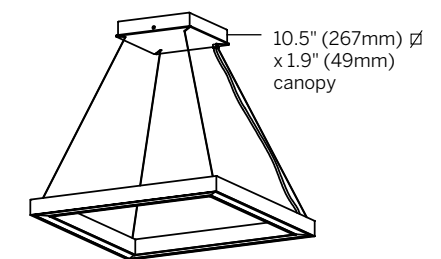
- Nominal lumens value specified
- Linear LED board, constant voltage 24 Volt
- For no Direct light specify XD
- For no Indirect light specify X
- 90+ CRI standard
- Canopy finish matches housing
For Clear anodized aluminum finish, canopy finish will be painted anodized aluminum
- 96" standard cable length



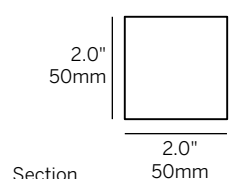
Straight cables with remote driver



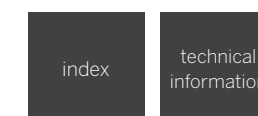
Center canopy with remote driver



Center canopy with integral driver



Section





Frame 70

PENDANT

Direct illumination

Model 1545

Type

P Pendant

Size

24	24.0" (610mm)
36	36.0" (914mm)
48	48.0" (1219mm)
Custom	

Wattage^{1,2}

24"	
L	20W (2665lm)
M	40W (4955lm)
36"	
L	32W (4265lm)
M	64W (7925lm)
48"	
L	44W (5865lm)
M	88W (10895lm)

Color Temp³

30	3000
35	3500
40	4000

Voltage

U 120/277 Volt

Driver

RD Remote

Control - RD

S	Non-dim
D010	0-10V 1%
L3DAE	Lutron Hi-lume 1% EcoSystem
L3DOE	Hi-lume Premier 0.1% EcoSystem

Diffuser Bottom

SW Satin opal acrylic

Finish⁴

16	Clear anodized aluminum
21	Painted white - RAL 9010 matte
26	Painted black - RAL 9005 matte
22	Painted custom color

Mounting

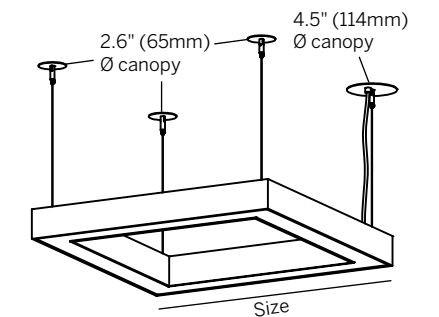
SC	Straight cables
CE	Center canopy

Power Cable⁵

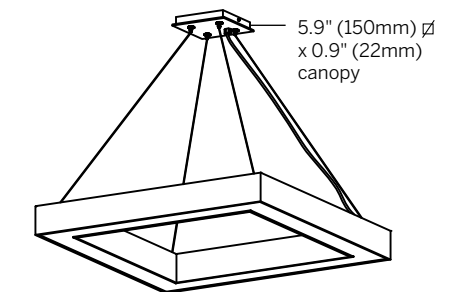
CC	Clear insulated cable (standard)
WC	White cable
BC	Black cable

Notes

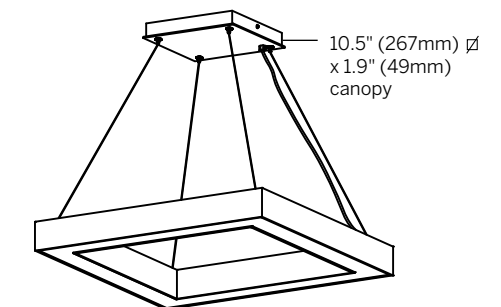
- 1 Nominal lumens value specified
- 2 Linear LED board, constant voltage 24 Volt
- 3 90+ CRI standard
- 4 Canopy finish matches housing
For Clear anodized aluminum finish, canopy finish will be painted anodized aluminum
96" standard cable length
- 5



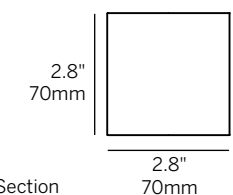
Straight cables with remote driver



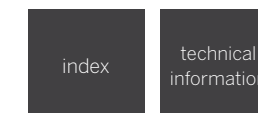
Center canopy with remote driver



Center canopy with integral driver



Section





Gran Fuse

PENDANT

General illumination, general illumination with downlight

Model 1575

Type

P Pendant

Size (general light only)

38 38.2" (971mm)
 50 50.2" (1276mm)
 62 62.2" (1581mm)
 Custom

Size (general with downlight)

43 42.7" (1086mm)
 55 54.7" (1390mm)
 67 66.7" (1695mm)
 Custom

Wattage (general illumination)^{1,2}

38/43"
 L 24W (3200lm)
50/55"
 L 36W (4800lm)
62/67"
 L 48W (6400lm)

Wattage (downlight)³

M 8.4W (1310lm)
 H 12.6W (1710lm)
 X No Downlight

Color Temp⁴

30 3000
 35 3500
 40 4000

Voltage

U 120/277 Volt

Driver

RD Remote
 ID Integral

Control - (RD/ID - General)

S Non-dim
 D010 0-10V 1%
 L3DAE Lutron Hi-lume 1% EcoSystem (remote only)
 L3DOE Hi-lume Premier 0.1% EcoSystem (remote only)

Control (RD/ID - Downlight)

S Non-dim
 D010 0-10V 1%
 ECO30W EldoLED 0-10V 1% (remote only)
 Lutron Hi-lume 1% EcoSystem
 PEQO Lutron Hi-lume Premier 0.1% EcoSystem
 X No Downlight

Diffuser

AA Clear acrylic
 SW Satin opal acrylic

Finish⁵

12 Satin nickel
 19 Painted anodized aluminum - RAL 9006 matte
 21 Painted white - RAL 9010 matte
 26 Painted black - RAL 9005 matte
 22 Painted custom color

Mounting⁶

CE Center canopy

Downlight options

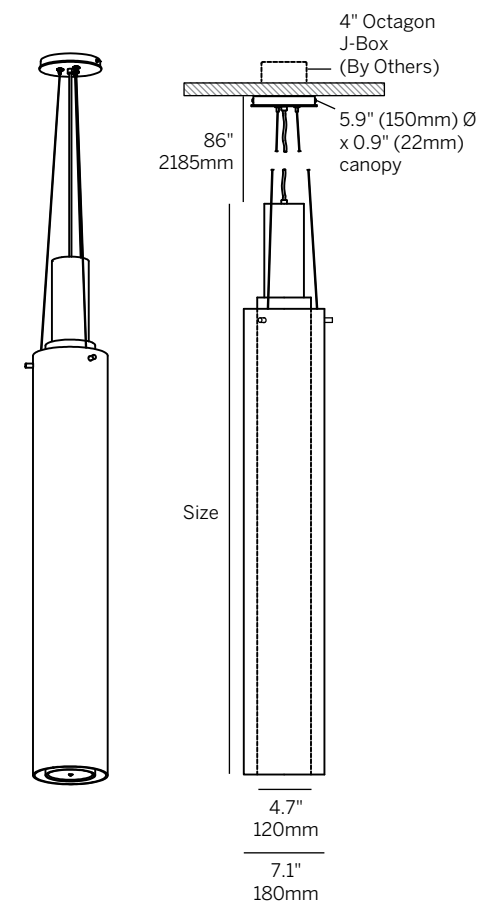
D Flush downlight
 CL Extended cylinder light
 X No Downlight

Power Cable⁷

CC Clear insulated cable (standard)
 WC White cable
 BC Black cable

Notes

- Nominal lumens value specified
- Linear LED board, constant voltage 24 Volt
- Downlight LED module, constant current 18 Volt
500 mA - 8.4 W, 700 mA - 12.6 W
- 90+ CRI standard
- Canopy finish matches housing
- Single canopy with multiple fixtures suspension available on request
- 96" standard cable length



index

technical
information



Linea 50

PENDANT

Direct or direct-indirect illumination

Model 1672

Type

P Pendant

Size

48	48.6" (1234mm)
60	60.4" (1535mm)
72	72.3" (1836mm)
84	84.1" (2137mm)
Custom	

Wattage^{1,2}

Direct

48"

LD 12W (1600lm)
MD 24W (2970lm)

60"

LD 15W (2000lm)
MD 30W (3715lm)

72"

LD 18W (2400lm)
MD 36W (4460lm)

84"

LD 21W (2800lm)
MD 42W (5200lm)

Indirect³

LI 12W (1600lm)
MI 24W (2970lm)

LI 15W (2000lm)
MI 30W (3715lm)

LI 18W (2400lm)
MI 36W (4460lm)

LI 21W (2800lm)
MI 42W (5200lm)

XI-No Indirect

Color Temp⁴

30	3000
35	3500
40	4000

Voltage

U 120/277 Volt

Driver

RD Remote

Control - RD

S	Non-dim
D010	0-10V 10%
L3DAE	Lutron Hi-lume 1% EcoSystem
L3DOE	Hi-lume Premier 0.1% EcoSystem

Diffuser Bottom

SW Satin opal acrylic

Diffuser Top

SA Satin clear acrylic
CT Aluminum-painted to match the fixture

Finish⁵

16	Clear anodized aluminum
21	Painted white - RAL 9010 matte
26	Painted black - RAL 9005 matte
22	Painted custom color

Mounting

PC Power cable

Circuit

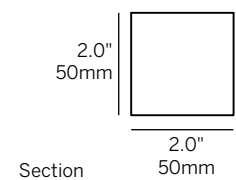
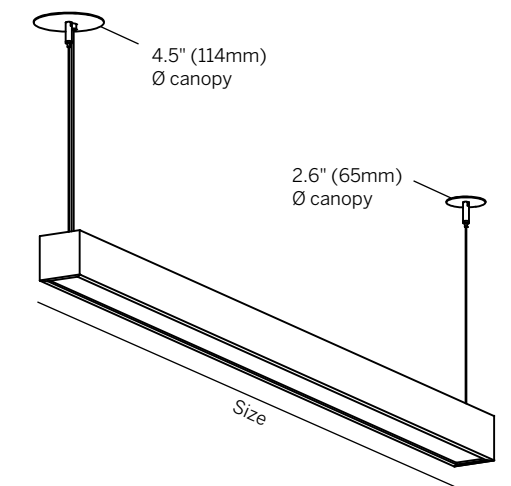
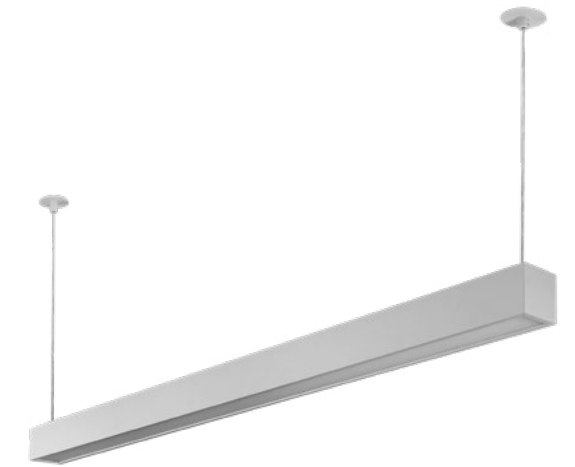
CS Circuit - Single
CD Circuit - Dual

Power Cable⁶

CC Clear insulated cable

Notes

- Nominal lumens value specified
- Linear LED board, constant voltage 24 Volt
- For no Indirect light specify XI
- 90+ CRI standard
- Canopy finish matches housing
For Clear anodized aluminum finish, canopy finish will be painted anodized aluminum
- 96" standard power cable length



index

technical
information

Ring 65

PENDANT

Direct, indirect or direct-indirect illumination

Model 1691

Type

P Pendant

Size

24 25.5" (647mm)
 36 36.9" (938mm)
 48 48.4" (1229mm)
 60 59.8" (1519mm)
 72 71.2" (1808mm)

Custom

Wattage^{1,2}

Direct³

24"

LD 18W (2400lm)
 MD 36W (4460lm)

36"

LD 27W (3600lm)
 MD 54W (6685lm)

48"

LD 36W (4800lm)
 MD 72W (8915lm)

60"

LD 45W (6000lm)
 MD 90W (11145lm)

72"

LD 54W (7200lm)
 MD 108W (13375lm)

Indirect⁴

LI 18W (2400lm)
 MI 36W (4460lm)

LI 27W (3600lm)
 MI 54W (6685lm)

LI 36W (4800lm)
 MI 72W (8915lm)

LI 45W (6000lm)
 MI 90W (11145lm)

LI 54W (7200lm)
 MI 108W (13375lm)

XD-No Direct

XI-No Indirect

Color Temp⁵

30 3000
 35 3500
 40 4000

Voltage

U 120/277 Volt

Driver

RD Remote
 ID Integral

Control - RD

S Non-dim
 D010 0-10V 1%
 L3DAE Lutron Hi-lume 1% EcoSystem
 L3DOE Lutron Hi-lume Premier 0.1% EcoSystem
 X If integral driver is selected

Control-ID (in canopy - if selected)

S Non-dim
 D010 0-10V 1%
 X If remote driver is selected

Diffuser Bottom

SW Satin opal acrylic
 CB Aluminum-painted to match the fixture

Diffuser Top

SA Satin clear acrylic
 CT Aluminum-painted to match the fixture

Finish⁶

19 Painted anodized aluminum - RAL 9006 matte
 21 Painted white - RAL 9010 matte
 26 Painted black - RAL 9005 matte
 22 Painted custom color

Mounting

SC Straight cables - remote driver
 CERD Center canopy - remote driver
 CEID Center canopy - integral driver

Circuit

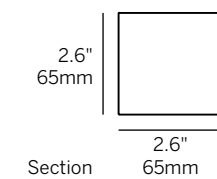
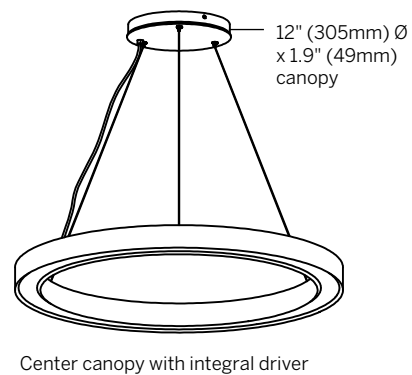
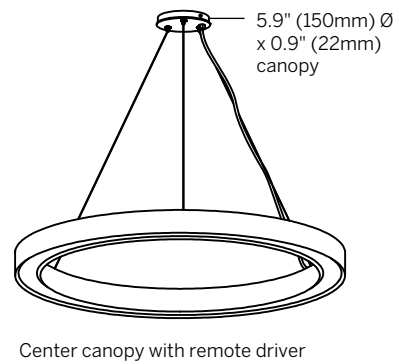
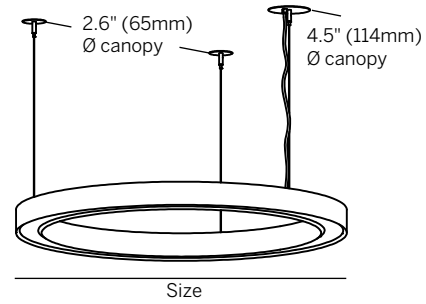
CS Circuit - Single
 CD Circuit - Dual

Power Cable⁷

CC Clear insulated cable (standard)
 WC White cable
 BC Black cable

Notes

- Nominal lumens value specified
- Linear LED board, constant voltage 24 Volt
- For no Direct light specify XD
- For no Indirect light specify XI
- 90+ CRI standard
- Canopy finish matches housing
- 96" standard cable length



index

technical information



Ring 100

PENDANT

Direct, indirect or direct-indirect illumination

Model 1692

Type

P Pendant

Size

24	25.5" (647mm)
36	36.9" (938mm)
48	48.4" (1229mm)
60	59.8" (1519mm)
72	71.2" (1808mm)
Custom	

Wattage^{1,2}

Direct³

24"	LD 18W (2400lm)	MI 18W (2400lm)
	MD 36W (4460lm)	MI 36W (4460lm)
36"	LD 27W (3600lm)	MI 27W (3600lm)
	MD 54W (6685lm)	MI 54W (6685lm)
48"	LD 36W (4800lm)	MI 36W (4800lm)
	MD 72W (8915lm)	MI 72W (8915lm)
60"	LD 45W (6000lm)	MI 45W (6000lm)
	MD 90W (11145lm)	MI 90W (11145lm)
72"	LD 54W (7200lm)	MI 54W (7200lm)
	MD 108W (13375lm)	MI 108W (13375lm)

Indirect⁴

XD-No Direct XI-No Indirect

Color Temp⁵

30	3000
35	3500
40	4000

Voltage

U 120/277 Volt

Driver

RD Remote
ID Integral

Control - RD

S Non-dim
D010 0-10V 1%
L3DAE Lutron Hi-lume 1% EcoSystem
L3DOE Lutron Hi-lume Premier 0.1% EcoSystem
X If integral driver is selected

Control-ID (in canopy - if selected)

S Non-dim
D010 0-10V 1%
X If remote driver is selected

Diffuser Bottom

SW Satin opal acrylic
CB Aluminum-painted to match the fixture

Diffuser Top

SA Satin clear acrylic
CT Aluminum-painted to match the fixture

Finish⁶

19 Painted anodized aluminum - RAL 9006 matte
21 Painted white - RAL 9010 matte
26 Painted black - RAL 9005 matte
22 Painted custom color

Mounting

SC Straight cables - remote driver
CERD Center canopy - remote driver
CEID Center canopy - integral driver

Circuit

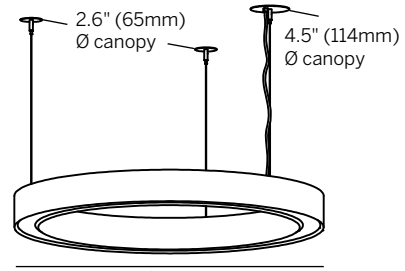
CS Circuit - Single
CD Circuit - Dual

Power Cable⁷

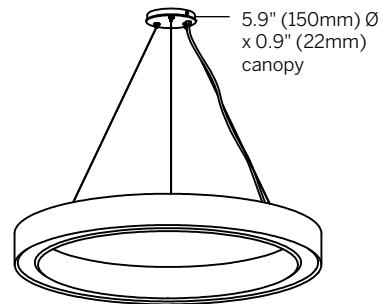
CC Clear insulated cable (standard)
WC White cable
BC Black cable

Notes

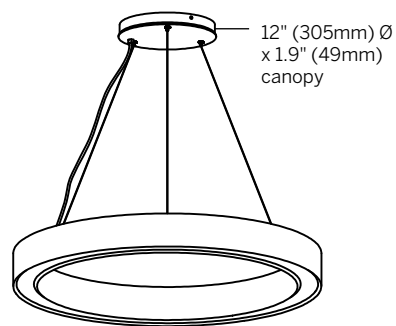
- Nominal lumens value specified
- Linear LED board, constant voltage 24 Volt
- For no Direct light specify XD
- For no Indirect light specify XI
- 90+ CRI standard
- Canopy finish matches housing
- 96" standard cable length



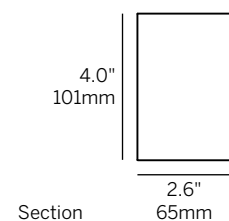
Size
Straight cables with remote driver



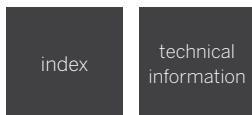
Center canopy with remote driver



Center canopy with integral driver



Section





Secant 50

PENDANT

Direct, indirect or direct-indirect illumination

Model 1671

Type

P Pendant

Size

24	24.8" (631mm)
36	36.3" (921mm)
48	47.7" (1211mm)
60	59.1" (1500mm)
72	70.5" (1790mm)
Custom	

Wattage^{1,2}

Direct³

24"		Indirect⁴	
LD 16W (2135lm)		LI 16W (2135lm)	
MD 32W (3965lm)		MI 32W (3965lm)	
36"			
LD 24W (3200lm)		LI 24W (3200lm)	
MD 48W (5945lm)		MI 48W (5945lm)	
48"			
LD 32W (4265lm)		LI 32W (4265lm)	
MD 64W (7925lm)		MI 64W (7925lm)	
60"			
LD 40W (5335lm)		LI 40W (5335lm)	
MD 80W (9905lm)		MI 80W (9905lm)	
72"			
LD 48W (6400lm)		LI 48W (6400lm)	
MD 96W (11890lm)		MI 96W (11890lm)	

XD-No Direct XI-No Indirect

Color Temp⁵

30	3000
35	3500
40	4000

Voltage

U 120/277 Volt

Driver

RD Remote
ID Integral

Control - RD

S Non-dim
D010 0-10V 1%
L3DAE Lutron Hi-lume 1% EcoSystem
L3DOE Lutron Hi-lume Premier 0.1% EcoSystem
X If integral driver is selected

Control-ID (in canopy)

S Non-dim
D010 0-10V 1%
X If remote driver is selected

Diffuser Bottom

SW Satin opal acrylic
CB Aluminum-painted to match the fixture

Diffuser Top

SA Satin clear acrylic
CT Aluminum-painted to match the fixture

Finish⁶

19 Painted anodized aluminum - RAL 9006 matte
21 Painted white - RAL 9010 matte
26 Painted black - RAL 9005 matte
22 Painted custom color

Mounting

SC Straight cables - remote driver
CERD Center canopy - remote driver
CEID Center canopy - integral driver

Circuit

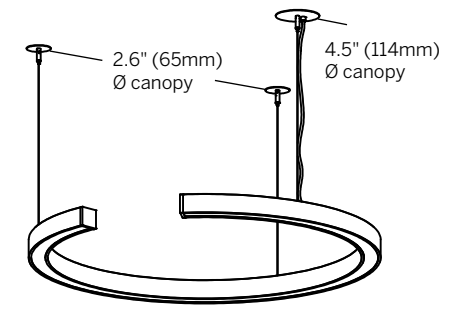
CS Circuit - Single
CD Circuit - Dual

Power Cable⁷

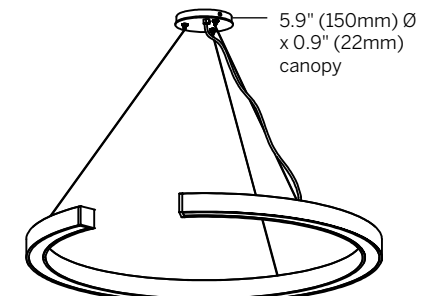
CC Clear insulated cable (standard)
WC White cable
BC Black cable

Notes

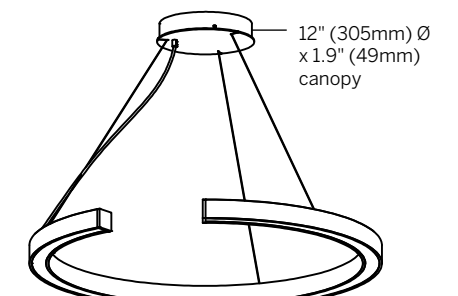
- 1 Nominal lumens value specified
- 2 Linear LED board, constant voltage 24 Volt
- 3 For no Direct light specify XD
- 4 For no Indirect light specify XI
- 5 90+ CRI standard
- 6 Canopy finish matches housing
- 7 96" standard cable length



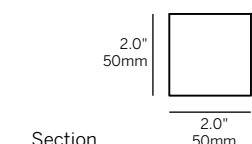
Size
Straight cables with remote driver



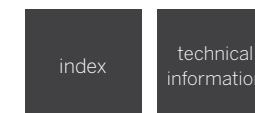
Center canopy with remote driver



Center canopy with integral driver



Section





Step

PENDANT

Direct illumination with indirect glow

Model 1540

Type

P Pendant

Size

24	24.0" (610mm)
28	28.0" (711mm)
32	32.0" (813mm)
36	36.0" (914mm)
Custom	

Wattage^{1,2}

24"	
L	28W (3735lm)
28"	
L	40W (5335lm)
32"	
L	54W (7200lm)
36"	
L	77W (10265lm)

Color Temp³

30	3000
35	3500
40	4000

Voltage

U 120/277 Volt

Driver

RD	Remote
ID	Integral (inside fixture)

Control - (RD/ID)

S	Non-dim
D010	0-10V 1%
L3DAE	Lutron Hi-lume 1% EcoSystem
L3DOE	Hi-lume Premier 0.1% EcoSystem (remote only)

Diffuser Bottom

SW Satin opal acrylic

Diffuser Top

CPS Clear polycarbonate - sanded both sides

Finish⁴

16	Clear anodized aluminum
21	Painted white - RAL 9010 matte
26	Painted black - RAL 9005 matte
22	Painted custom color

Mounting

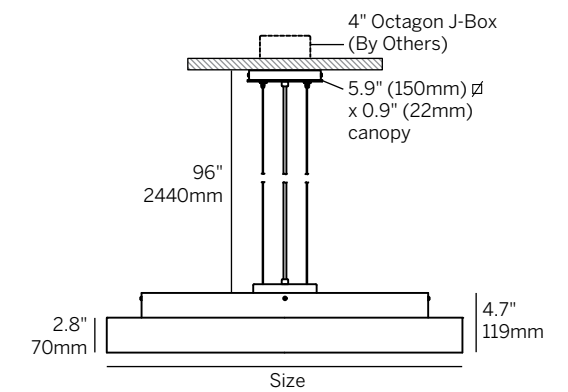
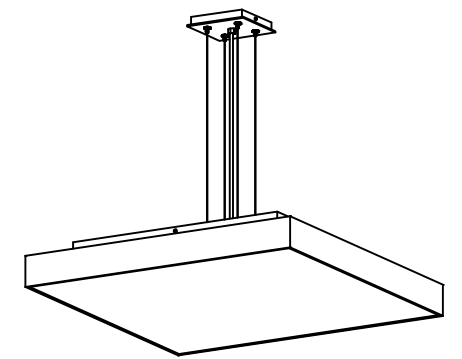
CE Center canopy

Power Cable⁵

CC	Clear insulated cable (standard)
WC	White cable
BC	Black cable

Notes

- 1 Nominal lumens value specified
- 2 Linear LED board, constant voltage 24 Volt
- 3 90+ CRI standard
- 4 Canopy finish matches housing
For Clear anodized aluminum finish, canopy finish will be painted anodized aluminum
- 5 96" standard cable length

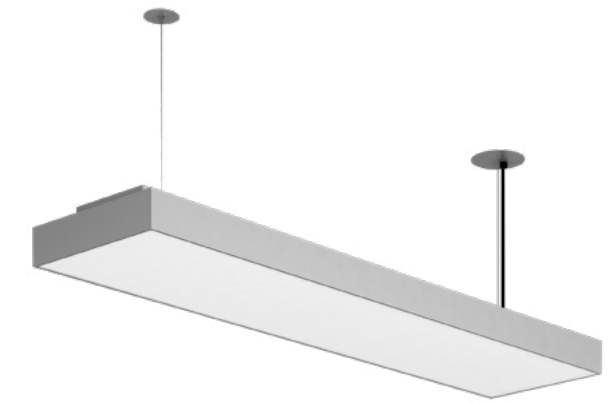




Step RC

PENDANT

Direct illumination with indirect glow



Model 1541

Type

P Pendant

Size

24 24.0" (610mm)
 28 28.0" (711mm)
 32 32.0" (813mm)
 36 36.0" (914mm)
 48 48.0" (1219mm)
 Custom

Wattage^{1,2}

24"
 L 8W (1065lm)
 M 16W (1980lm)
28"
 L 10W (1335lm)
 M 20W (2475lm)
32"
 L 12W (1600lm)
 M 24W (2970lm)
36"
 L 14W (1865lm)
 M 28W (3465lm)
48"
 L 20W (2665lm)
 M 40W (4955lm)

Color Temp³

30 3000
 35 3500
 40 4000

Voltage

U 120/277 Volt

Driver

RD Remote
 ID Integral

Control - (RD/ID)

S Non-dim
 D010 0-10V 10%
 L3DAE Lutron Hi-lume 1% EcoSystem
 L3DOE Hi-lume Premier 0.1% EcoSystem (remote only)

Diffuser Bottom

SW Satin opal acrylic

Diffuser Top

CPS Clear polycarbonate - sanded both sides

Finish⁴

16 Clear anodized aluminum
 21 Painted white - RAL 9010 matte
 26 Painted black - RAL 9005 matte
 22 Painted custom color

Mounting

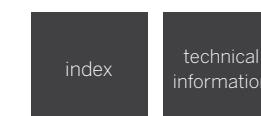
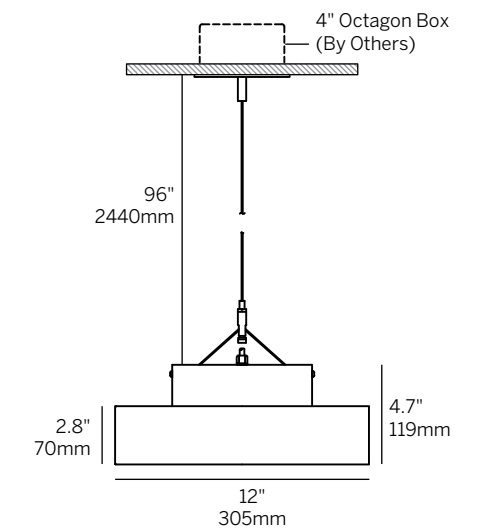
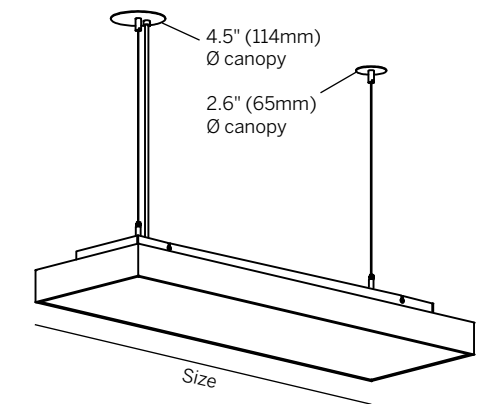
SC Straight cables

Power Cable⁵

CC Clear insulated cable (standard)
 WC White cable
 BC Black cable

Notes

- 1 Nominal lumens value specified
- 2 Linear LED board, constant voltage 24 Volt
- 3 90+ CRI standard
- 4 Canopy finish matches housing. For Clear anodized aluminum finish, canopy finish will be painted anodized aluminum
- 5 96" standard cable length





Stick AT

PENDANT

General illumination

Model 1591

AT Acrylic top

Type
P Pendant

Size
18 18.0" (457mm)
22 22.0" (559mm)
Custom

Wattage^{1,2}
M 8.4W (1310lm)
H 12.6W (1710lm)

Color Temp³
30 3000
35 3500
40 4000

Voltage
U 120/277 Volt

Driver
RD Remote

Control - RD
S Non-dim
D010 0-10V 1%
ECO30W EldoLED 0-10V 1%
PEQ0 Lutron Hi-lume Premier 0.1% EcoSystem

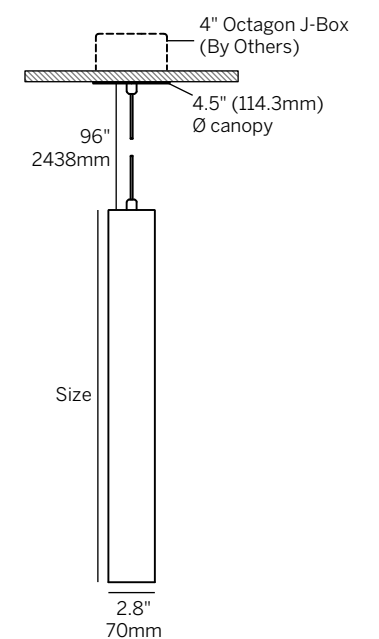
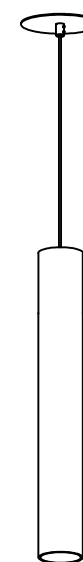
Diffuser
SA Satin clear acrylic

Finish⁴
21 Painted white - RAL 9010 matte
22 Painted custom color

Mounting
PC Power cable

Power Cable⁵
CC Clear insulated cable

- Notes
- 1 Nominal lumens value specified
 - 2 Downlight LED module, constant current 18 Volt 500 mA - 8.4 W, 700 mA - 12.6 W 90+ CRI standard
 - 3 90+ CRI standard
 - 4 AT fixture and canopy are painted white standard, other colors optional on canopy
 - 5 96" standard power cable length



index

technical
information



Stick MT

PENDANT

General illumination

Model 1592

MT Metal top

Type
P Pendant

Size
18 18.0" (457mm)
22 22.0" (559mm)
26 26.0" (660mm)
Custom

Wattage^{1,2}
M 8.4W (1310lm)
H 12.6W (1710lm)

Color Temp³
30 3000
35 3500
40 4000

Voltage
U 120/277 Volt

Driver
RD Remote

Control - RD
S Non-dim
D010 0-10V 1%
ECO30W EldoLED 0-10V 1%
PEQ0 Lutron Hi-lume Premier 0.1% EcoSystem

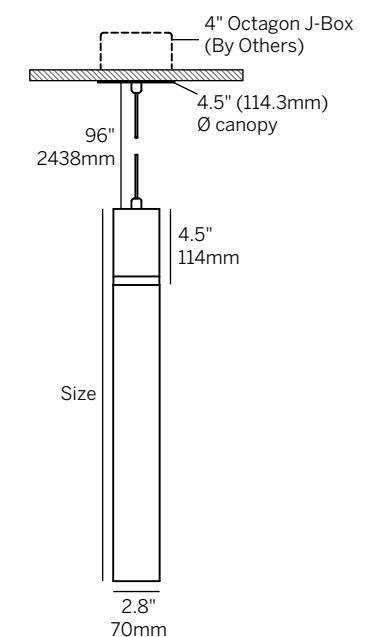
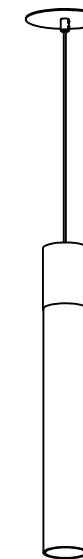
Diffuser
SA Satin clear acrylic

Finish⁴
19 Painted anodized aluminum - RAL 9006 matte
21 Painted white - RAL 9010 matte
26 Painted black - RAL 9005 matte
22 Painted custom color

Mounting
PC Power cable

Power Cable⁵
CC Clear insulated cable

Notes
1 Nominal lumens value specified
2 Downlight LED module, constant current 18 Volt 500 mA - 8.4 W, 700 mA - 12.6 W
3 90+ CRI standard
4 Canopy finish matches housing
5 96" standard power cable length



index

technical
information



Stick M

PENDANT

Direct illumination

Model 1593

Type

P Pendant

Size

12 12.0" (305mm)
Custom

Wattage^{1,2}

M 8.4W (1310lm)
H 12.6W (1710lm)

Color Temp³

30 3000
35 3500
40 4000

Voltage

U 120/277 Volt

Driver

RD Remote
ID Integral

Control - (RD/ID)

S Non-dim
D010 0-10V 1%
ECO30W EidoLED 0-10V 1% (remote only)
Lutron Hi-lume 1% EcoSystem (remote only)
PEQ0 Lutron Hi-lume Premier 0.1% EcoSystem (remote only)

Diffuser

SA Satin clear acrylic

Finish⁴

19 Painted anodized aluminum - RAL 9006 matte
21 Painted white - RAL 9010 matte
26 Painted black - RAL 9005 matte
22 Painted custom color

Mounting

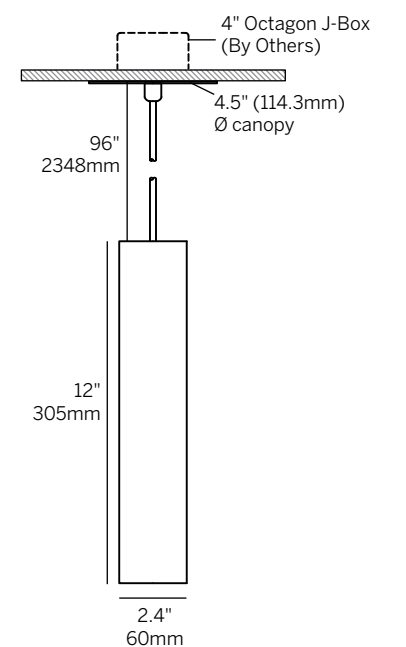
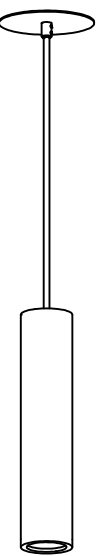
PC Power cable

Power Cable⁵

CC Clear insulated cable (standard)
WC White cable
BC Black cable

Notes

- 1 Nominal lumens value specified
- 2 Downlight LED module, constant current 18 Volt 500 mA - 8.4 W, 700 mA - 12.6 W
- 3 90+ CRI standard
- 4 Canopy finish matches housing
- 5 96" standard power cable length



index

technical
information



Wing AR

PENDANT

Direct illumination with indirect glow

Model 1821

Type

P Pendant

Size

26 26.0" (660mm)
 37 37.0" (940mm)
 49 49.0" (1245mm)
 Custom

Wattage^{1,2}

26"
 L 6W (800lm)
 M 12W (1485lm)
37"
 L 9W (1200lm)
 M 18W (2230lm)
49"
 L 12W (1600lm)
 M 24W (2970lm)

Color Temp³

30 3000
 35 3500
 40 4000

Voltage

U 120/277 Volt

Driver

RD Remote

Control - RD

S Non-dim
 D010 0-10V 10%
 L3DAE Lutron Hi-lume 1% EcoSystem
 L3DOE Hi-lume Premier 0.1% EcoSystem

Diffuser⁴

SW Satin opal acrylic

Finish⁵

19 Painted anodized aluminum - RAL 9006 matte
 21 Painted white - RAL 9010 matte
 26 Painted black - RAL 9005 matte
 22 Painted custom color

Mounting

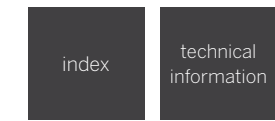
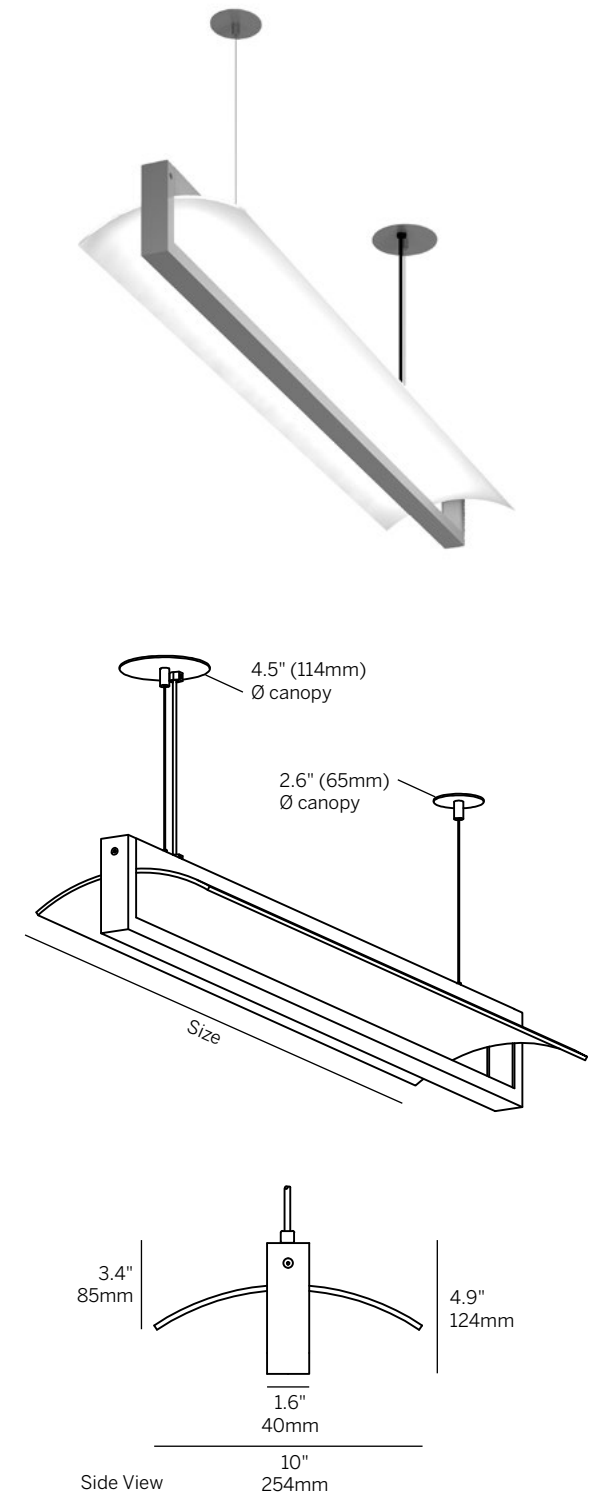
SC Straight cables

Power Cable⁶

CC Clear insulated cable (standard)
 WC White cable
 BC Black cable

Notes

- 1 Nominal lumens value specified
- 2 Linear LED board, constant voltage 24 Volt
- 3 90+ CRI standard
- 4 Reflector is opal acrylic
- 5 Canopy finish matches housing
- 6 96" standard cable length





Surface

Aline 70

SURFACE

Direct illumination

Model 1550

Type

S Surface

Size

48 49.1" (1246mm)
 60 60.9" (1547mm)
 72 72.8" (1848mm)
 84 84.6" (2149mm)
 Custom

Wattage^{1,2}

48"
 L 12W (1600lm)
 M 24W (2970lm)
60"
 L 15W (2000lm)
 M 30W (3715lm)
72"
 L 18W (2400lm)
 M 36W (4460lm)
84"
 L 21W (2800lm)
 M 42W (5200lm)

Color Temp³

30 3000
 35 3500
 40 4000

Voltage

U 120/277 Volt

Driver

RD Remote

Control - RD

S Non-dim
 D010 0-10V 10%
 L3DAE Lutron Hi-lume 1% EcoSystem
 L3DOE Hi-lume Premier 0.1% EcoSystem

Diffuser Bottom

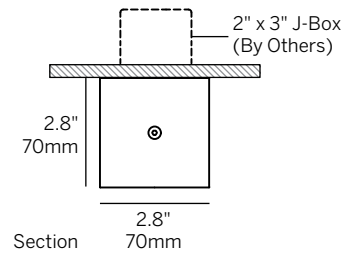
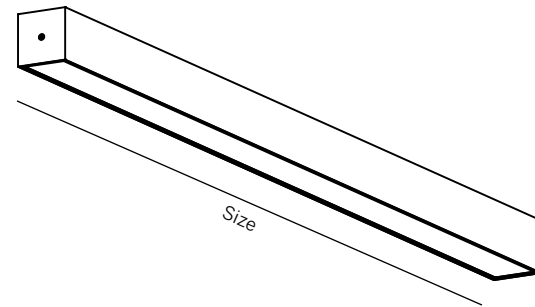
SW Satin opal acrylic

Finish

16 Clear anodized aluminum
 21 Painted white - RAL 9010 matte
 26 Painted black - RAL 9005 matte
 22 Painted custom color

Notes

- 1 Nominal lumens value specified
- 2 Linear LED board, constant voltage 24 Volt
- 3 90+ CRI standard





Aura

SURFACE

Direct illumination with indirect glow



Model 1520

Type

S Surface

Size

15 15.6" (396mm)
 18 18.6" (472mm)
 22 22.6" (574mm)
 25 25.6" (651mm)
 30 30.0" (763mm)
 36 36.0" (915mm)
 Custom

Wattage^{1,2}

15"
 L 8W (1065lm)
 M 16W (1980lm)
18"
 L 11W (1465lm)
 M 22W (2725lm)
22"
 L 16W (2135lm)
 M 32W (3965lm)
25"
 L 24W (3200lm)
 M 48W (5945lm)
30"
 L 38W (5065lm)
 M 76W (9410lm)
36"
 L 56W (7465lm)

Color Temp³

30 3000
 35 3500
 40 4000

Voltage

U 120/277 Volt

Driver^{4,5}

RD Remote
 ID Integral

Control - (RD/ID)

S Non-dim
 D010 0-10V 1%
 L3DAE Lutron Hi-lume 1% EcoSystem
 L3DOE Hi-lume Premier 0.1% EcoSystem (remote only)

Diffuser Bottom

SW Satin opal acrylic

Diffuser Top

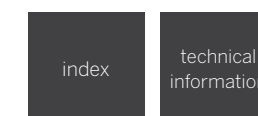
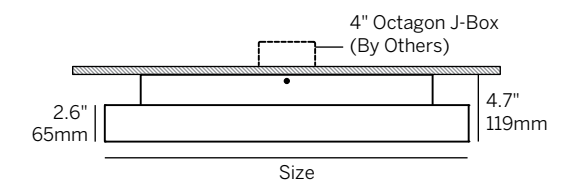
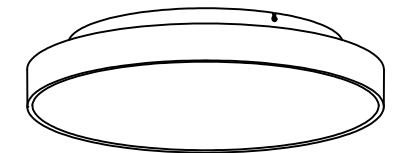
SA Satin clear acrylic

Finish

19 Painted anodized aluminum - RAL 9006 matte
 21 Painted white - RAL 9010 matte
 26 Painted black - RAL 9005 matte
 22 Painted custom color

Notes

- Nominal lumens value specified
- Linear LED board, constant voltage 24 Volt
- 90+ CRI standard
- Remote driver for 15" and 18" sizes
- Integral or remote driver for 22", 25", 30" and 36" sizes



Delta 40

SURFACE

Direct illumination with indirect glow



Model 1770

Type

S Surface

Size

26 26.4" (670mm)
 38 38.2" (971mm)
 50 50.0" (1271mm)
 Custom

Wattage^{1,2}

26"
 L 6W (800lm)
 M 12W (1485lm)
38"
 L 9W (1200lm)
 M 18W (2230lm)
50"
 L 12W (1600lm)
 M 24W (2970lm)

Color Temp³

30 3000
 35 3500
 40 4000

Voltage

U 120/277 Volt

Driver

RD Remote

Control - RD

S Non-dim
 D010 0-10V 10%
 L3DAE Lutron Hi-lume 1% EcoSystem
 L3DOE Hi-lume Premier 0.1% EcoSystem

Diffuser

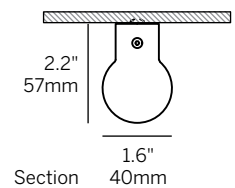
SA Satin clear acrylic

Finish

19 Painted anodized aluminum - RAL 9006 matte
 21 Painted white - RAL 9010 matte
 26 Painted black - RAL 9005 matte
 22 Painted custom color

Notes

- 1 Nominal lumens value specified
- 2 Linear LED board, constant voltage 24 Volt
- 3 90+ CRI standard





Delta 50

SURFACE

Direct illumination with indirect glow

Model 1771

Type

S Surface

Size

26 26.4" (670mm)
 38 38.2" (971mm)
 50 50.0" (1271mm)
 Custom

Wattage^{1,2}

26"
 L 6W (800lm)
 M 12W (1485lm)
38"
 L 9W (1200lm)
 M 18W (2230lm)
50"
 L 12W (1600lm)
 M 24W (2970lm)

Color Temp³

30 3000
 35 3500
 40 4000

Voltage

U 120/277 Volt

Driver

RD Remote

Control - RD

S Non-dim
 D010 0-10V 10%
 L3DAE Lutron Hi-lume 1% EcoSystem
 L3DOE Hi-lume Premier 0.1% EcoSystem

Diffuser

SA Satin clear acrylic

Finish

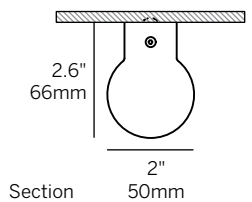
19 Painted anodized aluminum - RAL 9006 matte
 21 Painted white - RAL 9010 matte
 26 Painted black - RAL 9005 matte
 22 Painted custom color

Notes

- 1 Nominal lumens value specified
- 2 Linear LED board, constant voltage 24 Volt
- 3 90+ CRI standard



Size





Eclipse 50

SURFACE

Direct illumination

Model 1670

Type

S Surface

Size

24 24.8" (631mm)
 36 36.3" (921mm)
 48 47.7" (1211mm)
 60 59.1" (1500mm)
 72 70.5" (1790mm)
 Custom

Wattage^{1,2}

24"
 L 18W (2400lm)
 M 36W (4460lm)
36"
 L 27W (3600lm)
 M 54W (6685lm)
48"
 L 36W (4800lm)
 M 72W (8915lm)
60"
 L 45W (6000lm)
 M 90W (11145lm)
72"
 L 54W (7200lm)
 M 108W (13375lm)

Color Temp³

30 3000
 35 3500
 40 4000

Voltage

U 120/277 Volt
 RD Remote

Driver

RD Remote

Control - RD

S Non-dim
 D010 0-10V 1%
 L3DAE Lutron Hi-lume 1% EcoSystem
 L3DOE Lutron Hi-lume Premier 0.1% EcoSystem

Diffuser Bottom

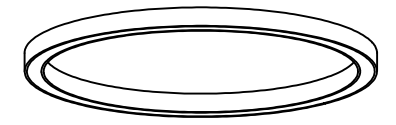
SW Satin opal acrylic

Finish

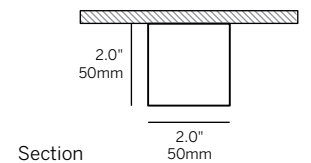
19 Painted anodized aluminum - RAL 9006 matte
 21 Painted white - RAL 9010 matte
 26 Painted black - RAL 9005 matte
 22 Painted custom color

Notes

- Nominal lumens value specified
- Linear LED board, constant voltage 24 Volt
- 90+ CRI standard



Size



index

technical
information





Frame 50

SURFACE

Direct illumination

Model 1546

Type

S Surface

Size

26 26.0" (662mm)
 38 37.9" (963mm)
 50 49.7" (1262mm)
 Custom

Wattage^{1,2}

24"
 L 24W (3200lm)
 M 48W (5945lm)
38"
 L 36W (4800lm)
 M 72W (8915lm)
50"
 L 48W (6400lm)
 M 96W (11888lm)

Color Temp³

30 3000
 35 3500
 40 4000

Voltage

U 120/277 Volt

Driver

RD Remote

Control - RD

S Non-dim
 D010 0-10V 1%
 L3DAE Lutron Hi-lume 1% EcoSystem
 L3DOE Lutron Hi-lume Premier 0.1% EcoSystem

Diffuser Bottom

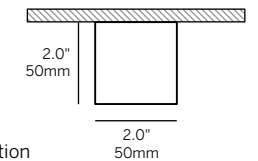
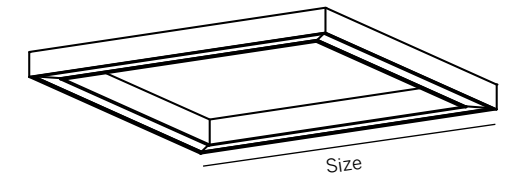
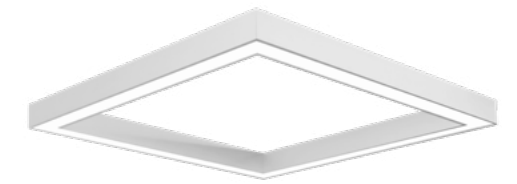
SW Satin opal acrylic

Finish

19 Painted anodized aluminum - RAL 9006 matte
 21 Painted white - RAL 9010 matte
 26 Painted black - RAL 9005 matte
 22 Painted custom color

Notes

- Nominal lumens value specified
- Linear LED board, constant voltage 24 Volt
- 90+ CRI standard



Frame 70

SURFACE

Direct illumination

Model 1545

Type

S Surface

Size

24 24.0" (610mm)
 36 36.0" (914mm)
 48 48.0" (1219mm)
 Custom

Wattage^{1,2}

24"
 L 20W (2665lm)
 M 40W (4955lm)
36"
 L 32W (4265lm)
 M 64W (7925lm)
48"
 L 44W (5865lm)
 M 88W (10895lm)

Color Temp³

30 3000
 35 3500
 40 4000

Voltage

U 120/277 Volt

Driver

RD Remote

Control - RD

S Non-dim
 D010 0-10V 1%
 L3DAE Lutron Hi-lume 1% EcoSystem
 L3DOE Hi-lume Premier 0.1% EcoSystem

Diffuser Bottom

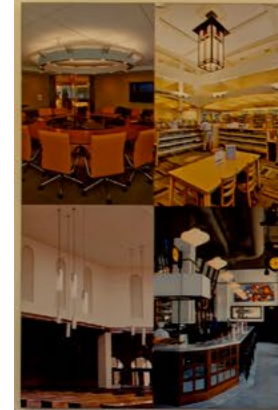
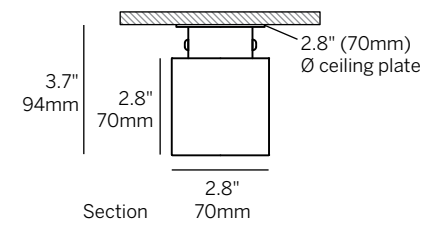
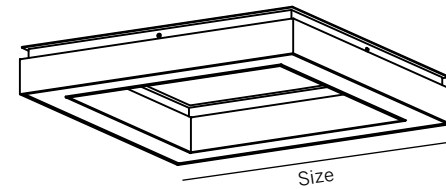
SW Satin opal acrylic

Finish

16 Clear anodized aluminum
 21 Painted white - RAL 9010 matte
 26 Painted black - RAL 9005 matte
 22 Painted custom color

Notes

- 1 Nominal lumens value specified
- 2 Linear LED board, constant voltage 24 Volt
- 3 90+ CRI standard



Linea 50

SURFACE

Direct illumination

Model 1672

Type

S Surface

Size

48 48.6" (1234mm)
60 60.4" (1535mm)
72 72.3" (1836mm)
84 84.1" (2137mm)
Custom

Wattage^{1,2}

48"
L 12W (1600lm)
M 24W (2970lm)
60"
L 15W (2000lm)
M 30W (3715lm)
72"
L 18W (2400lm)
M 36W (4460lm)
84"
L 21W (2800lm)
M 42W (5200lm)

Color Temp³

30 3000
35 3500
40 4000

Voltage

U 120/277 Volt

Driver

RD Remote

Control - RD

S Non-dim
D010 0-10V 10%
L3DAE Lutron Hi-lume 1% EcoSystem
L3DOE Hi-lume Premier 0.1% EcoSystem

Diffuser Bottom

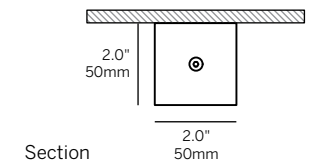
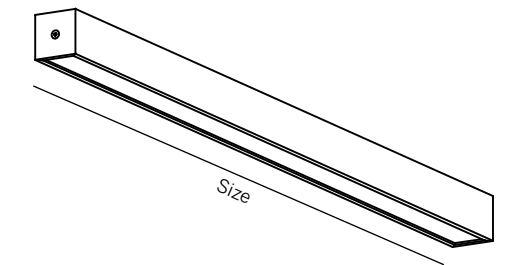
SW Satin opal acrylic

Finish

16 Clear anodized aluminum
21 Painted white - RAL 9010 matte
26 Painted black - RAL 9005 matte
22 Painted custom color

Notes

- 1 Nominal lumens value specified
- 2 Linear LED board, constant voltage 24 Volt
- 3 90+ CRI standard



index

technical
information



Secant 50

SURFACE

Direct illumination



Model 1671

Type

S Surface

Size

24	24.8" (631mm)
36	36.3" (921mm)
48	47.7" (1211mm)
60	59.1" (1500mm)
72	70.5" (1790mm)
Custom	

Wattage^{1,2}

24"	
L	16W (2135lm)
M	32W (3965lm)
36"	
L	24W (3200lm)
M	48W (5945lm)
48"	
L	32W (4265lm)
M	64W (7925lm)
60"	
L	40W (5335lm)
M	80W (9905lm)
72"	
L	48W (6400lm)
M	96W (11890lm)

Color Temp³

30	3000
35	3500
40	4000

Voltage

U 120/277 Volt

Driver

RD Remote

Control - RD

S	Non-dim
D010	0-10V 1%
L3DAE	Lutron Hi-lume 1% EcoSystem
L3DOE	Lutron Hi-lume Premier 0.1% EcoSystem

Diffuser Bottom

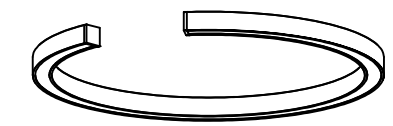
SW Satin opal acrylic

Finish

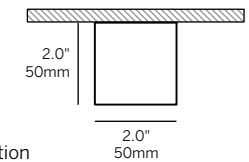
19	Painted anodized aluminum - RAL 9006 matte
21	Painted white - RAL 9010 matte
26	Painted black - RAL 9005 matte
22	Painted custom color

Notes

- 1 Nominal lumens value specified
- 2 Linear LED board, constant voltage 24 Volt
- 3 90+ CRI standard



Size



Section



Step

SURFACE

Direct illumination with indirect glow



Model 1540

Type

S Surface

Size

24 24.0" (610mm)
 28 28.0" (711mm)
 32 32.0" (813mm)
 36 36.0" (914mm)
 Custom

Wattage^{1,2}

24" L 28W (3735lm)
 28" L 40W (5335lm)
 32" L 54W (7200lm)
 36" L 77W (10265lm)

Color Temp³

30 3000
 35 3500
 40 4000

Voltage

U 120/277 Volt

Driver

RD Remote
 ID Integral

Control - (RD/ID)

S Non-dim
 D010 0-10V 1%
 L3DAE Lutron Hi-lume 1% EcoSystem
 L3DOE Hi-lume Premier 0.1% EcoSystem (remote only)

Diffuser Bottom

SW Satin opal acrylic

Diffuser Top

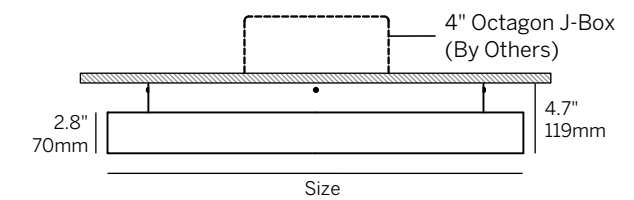
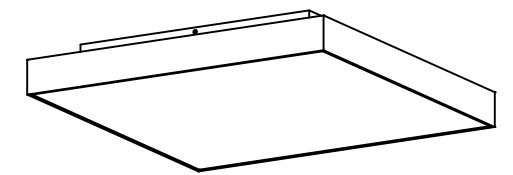
CPS Clear polycarbonate - sanded both sides

Finish

16 Clear anodized aluminum
 21 Painted white - RAL 9010 matte
 26 Painted black - RAL 9005 matte
 22 Painted custom color

Notes

- 1 Nominal lumens value specified
- 2 Linear LED board, constant voltage 24 Volt
- 3 90+ CRI standard





Step RC

SURFACE

Direct illumination with indirect glow



Model 1541

Type

S Surface

Size

24	24.0" (610mm)
28	28.0" (711mm)
32	32.0" (813mm)
36	36.0" (914mm)
48	48.0" (1219mm)
Custom	

Wattage^{1,2}

24"	
L	8W (1065lm)
M	16W (1980lm)
28"	
L	10W (1335lm)
M	20W (2475lm)
32"	
L	12W (1600lm)
M	24W (2970lm)
36"	
L	14W (1865lm)
M	28W (3465lm)
48"	
L	20W (2665lm)
M	40W (4955lm)

Color Temp³

30	3000
35	3500
40	4000

Voltage

U 120/277 Volt

Driver

RD	Remote
ID	Integral

Control - (RD/ID)

S	Non-dim
D010	0-10V 10%
L3DAE	Lutron Hi-lume 1% EcoSystem
L3DOE	Hi-lume Premier 0.1% EcoSystem (remote only)

Diffuser Bottom

SW Satin opal acrylic

Diffuser Top

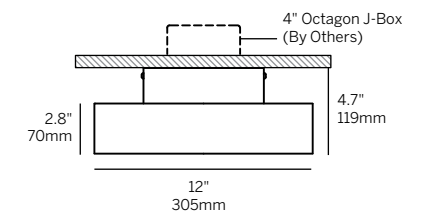
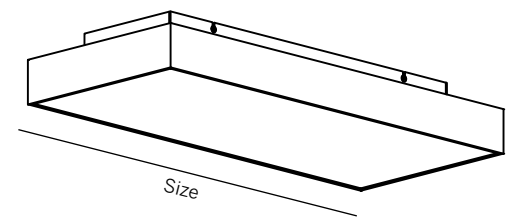
CPS Clear polycarbonate - sanded both sides

Finish

16	Clear anodized aluminum
21	Painted white - RAL 9010 matte
26	Painted black - RAL 9005 matte
22	Painted custom color

Notes

- 1 Nominal lumens value specified
- 2 Linear LED board, constant voltage 24 Volt
- 3 90+ CRI standard



Wing AR

SURFACE

Direct illumination with indirect glow



Model 1821

Type

S Surface

Size

26 26.0" (660mm)
 37 37.0" (940mm)
 49 49.0" (1245mm)
 Custom

Wattage^{1,2}

26"
 L 6W (800lm)
 M 12W (1485lm)
37"
 L 9W (1200lm)
 M 18W (2230lm)
49"
 L 12W (1600lm)
 M 24W (2970lm)

Color Temp³

30 3000
 35 3500
 40 4000

Voltage

U 120/277 Volt

Driver

RD Remote

Control - RD

S Non-dim
 D010 0-10V 10%
 L3DAE Lutron Hi-lume 1% EcoSystem
 L3DOE Hi-lume Premier 0.1% EcoSystem

Diffuser⁴

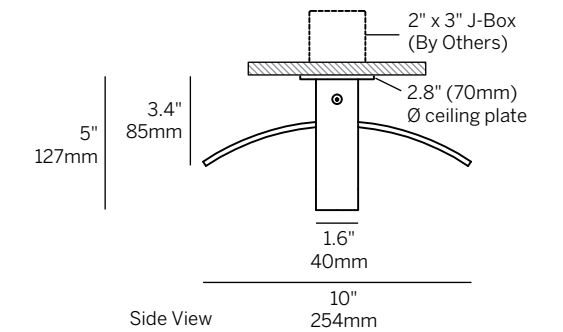
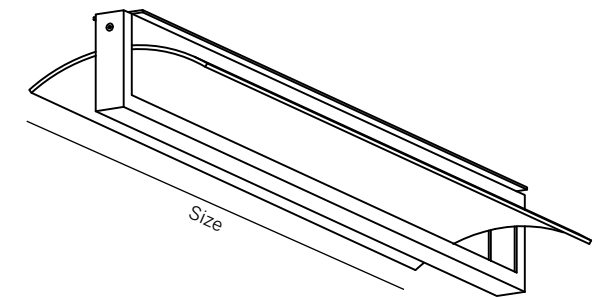
SW Satin opal acrylic

Finish

19 Painted anodized aluminum - RAL 9006 matte
 21 Painted white - RAL 9010 matte
 26 Painted black - RAL 9005 matte
 22 Painted custom color

Notes

- 1 Nominal lumens value specified
- 2 Linear LED board, constant voltage 24 Volt
- 3 90+ CRI standard
- 4 Reflector is opal acrylic





WALL



City Indoor

WALL

Indirect illumination

Model 1825

Type

W Wall

Size

27 27.0" (686mm)
 39 39.0" (991mm)
 51 51.0" (1295mm)
 63 63.0" (1600mm)
 Custom

Wattage^{1,2}

27"
 L 5W (665lm)
 M 10W (1240lm)
39"
 L 8W (1065lm)
 M 16W (1980lm)
51"
 L 11W (1465lm)
 M 22W (2725lm)
63"
 L 14W (1865lm)
 M 28W (3465lm)

Color Temp³

30 3000
 35 3500
 40 4000

Voltage

U 120/277 Volt

Driver

RD Remote

Control - RD

S Non-dim
 D010 0-10V 10%
 L3DAE Lutron Hi-lume 1% EcoSystem
 L3DOE Hi-lume Premier 0.1% EcoSystem

Diffuser

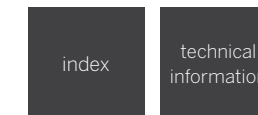
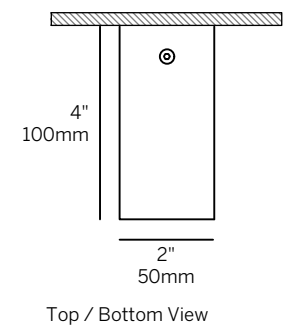
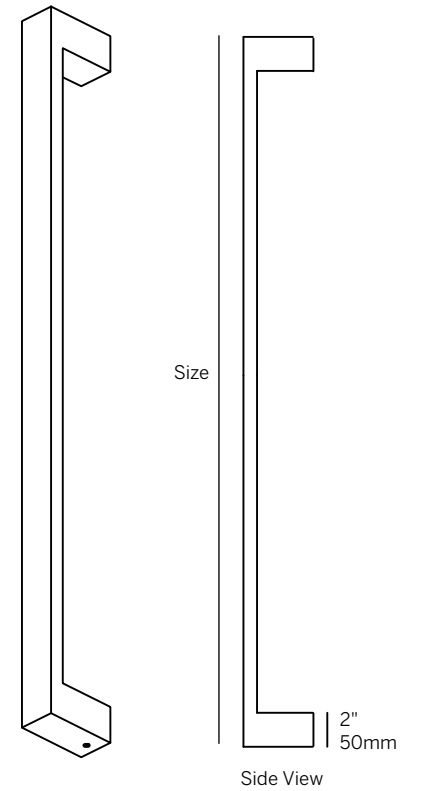
SA Satin clear acrylic

Finish

19 Painted anodized aluminum - RAL 9006 matte
 21 Painted white - RAL 9010 matte
 26 Painted black - RAL 9005 matte
 22 Painted custom color

Notes

- 1 Nominal lumens value specified
- 2 Linear LED board, constant voltage 24 Volt
- 3 90+ CRI standard



Sigma Indoor

WALL

General illumination

Model 1740

Type

W Wall

Size

27 27.0" (686mm)
 39 39.0" (991mm)
 51 51.0" (1295mm)
 Custom

Wattage^{1,2}

27"
 L 6W (800lm)
 M 12W (1485lm)
39"
 L 9W (1200lm)
 M 18W (2230lm)
51"
 L 12W (1600lm)
 M 24W (2970lm)

Color Temp³

30 3000
 35 3500
 40 4000

Voltage

U 120/277 Volt

Driver

RD Remote
 ID Integral

Control - (RD/ID)

S Non-dim
 D010 0-10V 10%
 L3DAE Lutron Hi-lume 1% EcoSystem
 L3DOE Hi-lume Premier 0.1% EcoSystem
 (remote only)

Diffuser

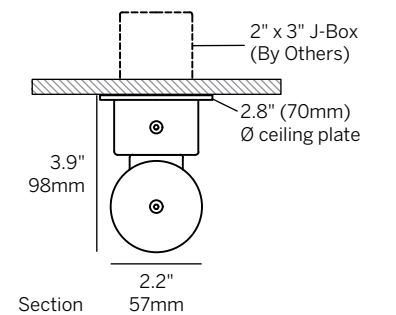
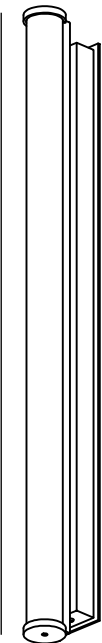
SA Satin clear acrylic

Finish

19 Painted anodized aluminum -
 RAL 9006 matte
 21 Painted white - RAL 9010 matte
 26 Painted black - RAL 9005 matte
 22 Painted custom color

Notes

- 1 Nominal lumens value specified
- 2 Linear LED board, constant voltage 24 Volt
- 3 90+ CRI standard



index

technical
 information



Wedge Indoor

WALL
Indirect illumination



Model 2537

Type	
W	Wall
Size	
12	12.2" (311mm)
24	24.1" (612mm)
48	48.0" (1219mm)
72	72.0" (1829mm)
96	96.0" (2,438mm)
Custom	
For customized shapes, please include a layout drawing or advise desired length	

Wattage ^{1,2}	
L	
3	W/ft (400 lm/ft)
10	W/m (1,335 lm/m)
M	
6	W/ft (743 lm/ft)
20	W/m (2,475 lm/m)

Color Temp ³	
30	3000
35	3500
40	4000

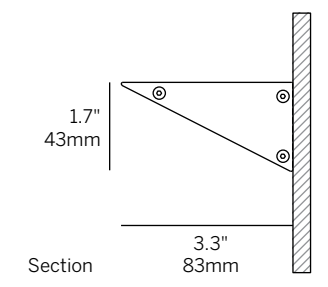
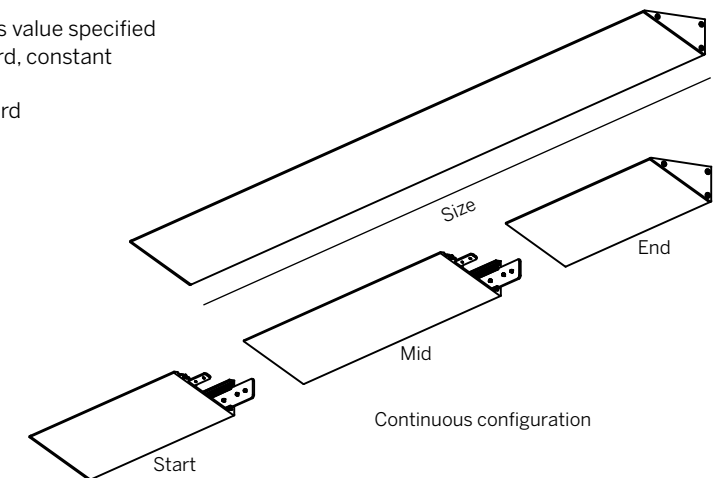
Voltage	
U	120/277 Volt

Driver	
RD	Remote

Control - RD	
S	Non-dim
D010	0-10V 10%
L3DAE	Lutron Hi-lume 1% EcoSystem
L3DOE	Hi-lume Premier 0.1% EcoSystem

Diffuser	
SA	Satin clear acrylic
Finish	
19	Painted anodized aluminum - RAL 9006 matte
21	Painted white - RAL 9010 matte
26	Painted black - RAL 9005 matte
22	Painted custom color

- Notes**
- 1 Nominal lumens value specified
 - 2 Linear LED board, constant voltage 24 Volt
 - 3 90+ CRI standard



index technical information





OUTDOOR



City Outdoor

WALL

Indirect illumination

Model 1825WL¹

Type

W Wall

Size

27 27.0" (686mm)
 39 39.0" (991mm)
 51 51.0" (1295mm)
 63 63.0" (1600mm)
 Custom

Wattage^{2,3}

27"
 L 8W (765lm)
 39"
 L 12W (1,225lm)
 51"
 L 17W (1,685lm)
 63"
 L 21W (2,140lm)

Color Temp⁴

30 3000
 35 3500
 40 4000

Voltage

U 120/277 Volt

Driver

RD Remote

Control - RD

S Non-dim
 D010 0-10V 10%
 L3DAE Lutron Hi-lume 1% EcoSystem
 L3DOE Hi-lume Premier 0.1% EcoSystem

Diffuser

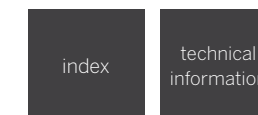
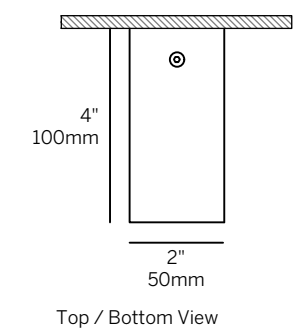
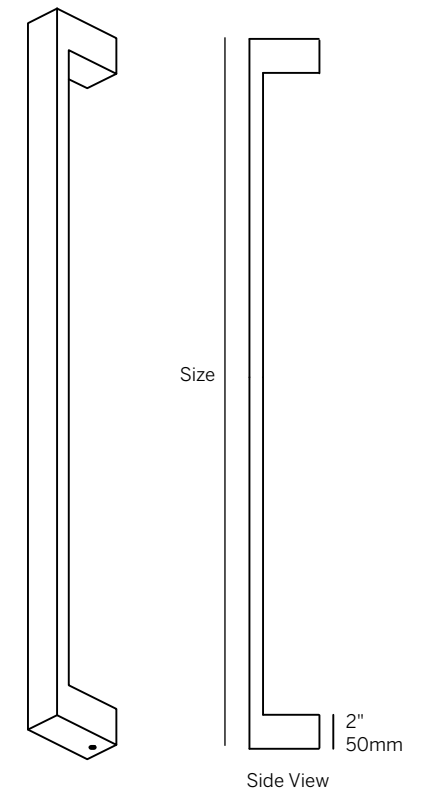
SA Satin clear acrylic

Finish

19 Painted anodized aluminum - RAL 9006 matte
 21 Painted white - RAL 9010 matte
 26 Painted black - RAL 9005 matte
 22 Painted custom color

Notes

- 1 Suitable for wet location, IP65 rated LED tape
- 2 Nominal lumens value specified
- 3 LED tape, constant voltage 24 Volt
- 4 90+ CRI standard



Sigma Outdoor

WALL

General illumination

Model 1740WL¹

Type

W Wall

Size

27 27.0" (686mm)
 39 39.0" (991mm)
 51 51.0" (1295mm)
 Custom

Wattage^{2,3}

27"
 L 9W (920lm)
 39"
 L 13W (1375lm)
 51"
 L 18W (1835lm)

Color Temp⁴

30 3000
 35 3500
 40 4000

Voltage

U 120/277 Volt

Driver

RD Remote

Control - RD

S Non-dim
 D010 0-10V 10%
 L3DAE Lutron Hi-lume 1% EcoSystem
 L3DOE Hi-lume Premier 0.1% EcoSystem

Diffuser

SA Satin clear acrylic

Finish

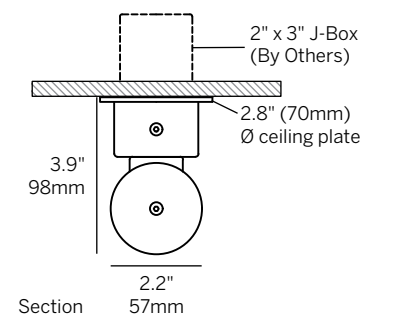
19 Painted anodized aluminum - RAL 9006 matte
 21 Painted white - RAL 9010 matte
 26 Painted black - RAL 9005 matte
 22 Painted custom color

Notes

- 1 Suitable for wet location, IP65 rated LED tape
- 2 Nominal lumens value specified
- 3 LED tape, constant voltage 24 Volt
- 4 90+ CRI standard



Size





Wedge Outdoor

WALL
Indirect illumination



Model 2537WL¹

Type

W Wall

Size

12	12.0" (305mm)
24	24.0" (610mm)
48	48.0" (1219mm)
72	72.0" (1829mm)
96	96.0" (2,438mm)

Custom

For customized shapes, please include a layout drawing or advise desired length

Wattage^{2,3}

L
 4.4 W/ft (465 lm/ft)
 14.4 W/m (1,528 lm/m)

Color Temp⁴

30	3000
35	3500
40	4000

Voltage

U 120/277 Volt

Driver

RD Remote

Control - RD

S	Non-dim
D010	0-10V 10%
L3DAE	Lutron Hi-lume 1% EcoSystem
L3DOE	Hi-lume Premier 0.1% EcoSystem

Diffuser

SA Satin clear acrylic

Finish

19	Painted anodized aluminum - RAL 9006 matte
21	Painted white - RAL 9010 matte
26	Painted black - RAL 9005 matte
22	Painted custom color

Notes

- 1 Suitable for wet location, IP65 rated LED tape
- 2 Nominal lumens value specified
- 3 LED tape, constant voltage 24 Volt
- 4 90+ CRI standard

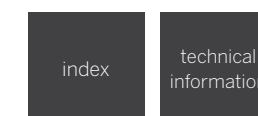
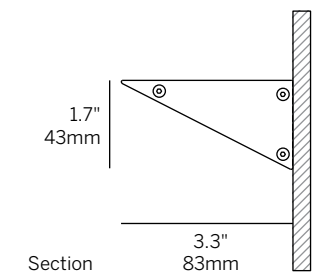
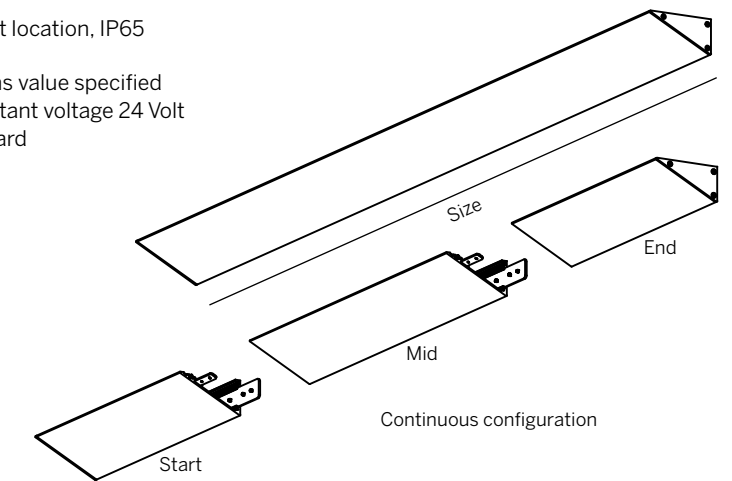


Photo Credits

cover, page 43

project **Laurel Library**
 location **Laurel, MD**
 architect **Grimm + Parker**
 photography **Michael K. Wilkinson**
 product **Frame 70**

page 1/2

project **Laurel Library**
 location **Laurel, MD**
 architect **Grimm + Parker**
 photography **Michael K. Wilkinson**
 product **Arc 65**

page 5

project **Laurel Library**
 location **Laurel, MD**
 architect **Grimm + Parker**
 photography **Michael K. Wilkinson**
 product **Arc 65 / Fuse**

page 8

project **W Hotel**
 location **Fort Lauderdale, FL**
 architect **Adache Associates/ Clodagh**
 lighting design **MCLA**
 product **Ring**

page 9

project **Salisbury University**
 location **Salisbury, MD**
 architect **Sasaki**
 lighting design **MCLA**
 photography **Michael K. Wilkinson**
 product **Gran Fuse**

page 11

project **Dulles International Airport**
 location **Washington, DC**
 architect **SOM**
 lighting design **MCLA**
 product **Custom**

page 12

project **St. Coletta School**
 location **Washington, DC**
 architect **Robert AM Stern arch**
 photography **Bliss Fassman LD**
 product **Custom**

page 18

project **Carroll Community College**
 location **Carroll Community, MD**
 architect **Grimm + Parker**
 photography **Alain Jaramillo**
 product **Gran Fuse**

page 25

project **Laurel Library**
 location **Laurel, MD**
 architect **Grimm + Parker**
 photography **Michael K. Wilkinson**
 product **Arc 65**

page 27

project **Northern VA Community College**
 location **Northern, VA**
 architect **Grimm + Parker**
 photography **Ken Wyner**
 product **Arc 100**

page 45

project **Salisbury University**
 location **Salisbury, MD**
 architect **Sasaki**
 lighting design **MCLA**
 photography **Michael K. Wilkinson**
 product **Gran Fuse**

page 50

project **Carroll Community College**
 location **Carroll Community, MD**
 architect **Grimm + Parker**
 photography **Alain Jaramillo**
 product **Ring 65**

page 52

project **Elkridge Library**
 location **Elkridge, MD**
 architect **Grimm + Parker**
 photography **Sam Kittner**
 product **Ring 100**

page 67/68

project **Amanda Manufacturing**
 location **Logan, Ohio**
 architect **MPdL Studio**
 photography **James Haefner Photography**
 product **Aura**

page 87

project **AARP**
 location **Washington, DC**
 architect **OPX PLLC**
 photography **Judy Davis, Architectural Step**

page 99

project **New York Public Library, Macombs Bridge Branch**
 location **New York, NY**
 architect **Michielli + Wyetzner Architects**
 lighting design **Anita Jorgensen Lighting Design**

photography

product **Alexander Severin**
Custom ALM Wedge

page 101/102, 103

project **AARP**
 location **Washington, DC**
 architect **OPX PLLC**
 photography **Judy Davis, Architectural City**

page 107

project **First Residences**
 location **Washington, DC**
 architect **Hickok Cole**
 lighting design **CM Kling**
 product **Wedge**

page 110

project **Temple Adath Israel**
 location **Merion Station, PA**
 architect **Atkin Olshin Schade Architects**
 lighting design **BEAM, Ltd.**
 photographer **Stephen Hoppe**
 product **Custom Hex Assembly & Candle Sticks**

page 111-112

project **Northern VA Community College**
 location **Northern, VA**
 architect **Grimm + Parker**
 photography **Ken Wyner**
 product **Gran Fuse**





Lighting is about creating an environment that uses light as the main medium of expression. It means having one's work blend seamlessly with the architecture, often at the risk of not being seen. It's about giving definition to a space.