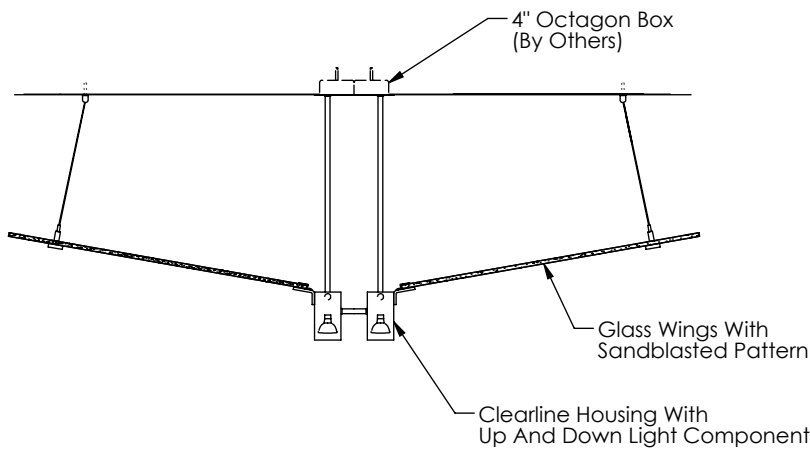
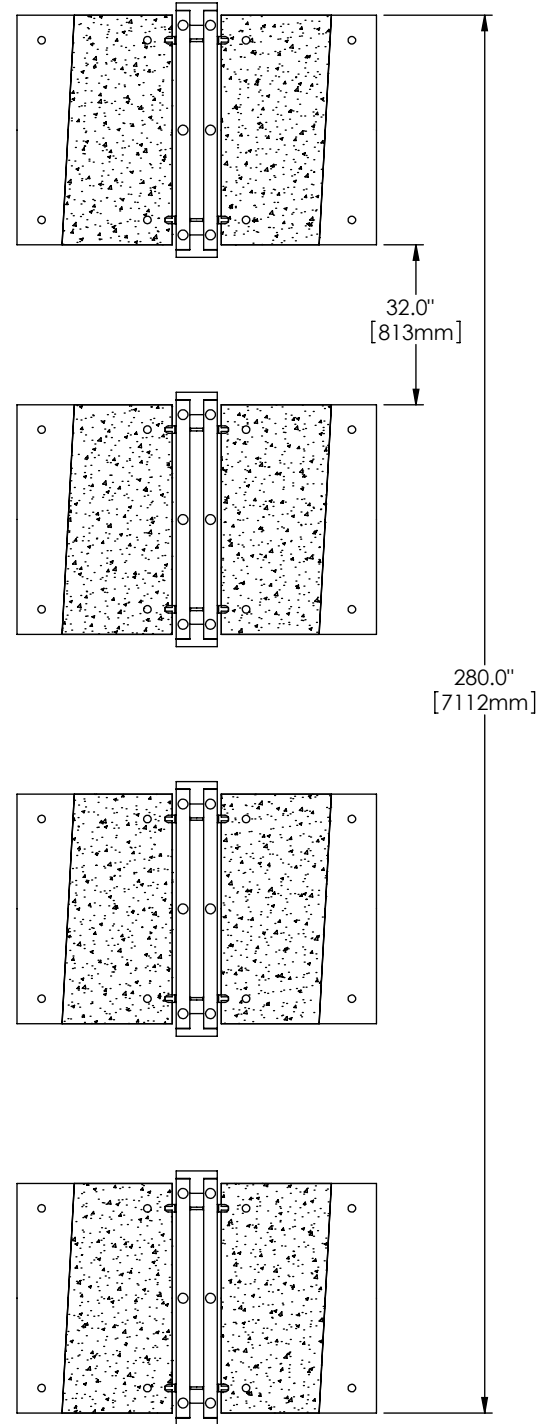
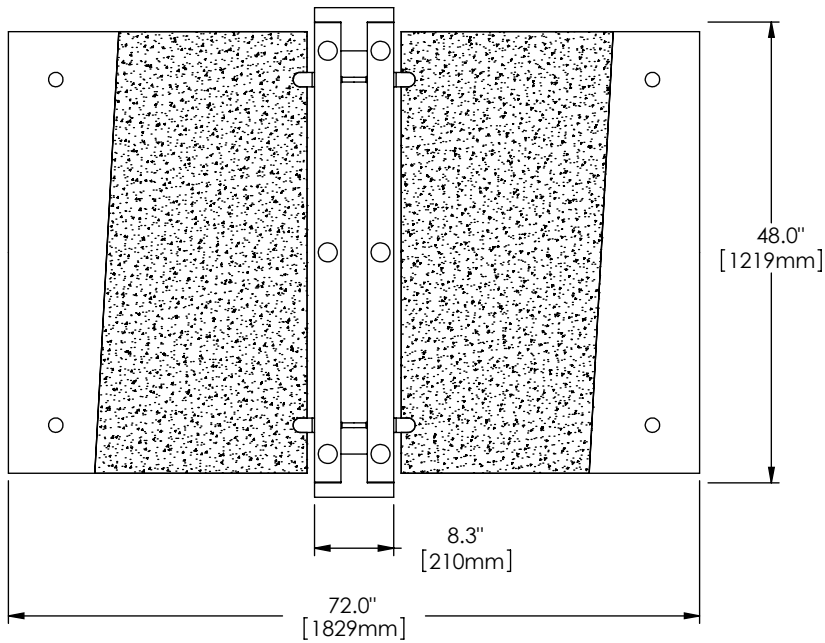


Clearline Flight Specifications



CL2F	P	452	806	16	1	
Series	Style	Uplight	Downlight	Finish	Voltage	Options

P - Pendant 452 - 2 x 54 Watt HO / G5 806 - 6 x 50 Watt MR16 / GU5.3 16 - Clear Anodized Aluminum U - 120-277 V
 1 - 120 V DM - Specify Dimming Ballast Consult The Factory
 2 - 220-240 V EM - Fluorescent Emergency, Battery - Remote
 3 - 277 V Other _____