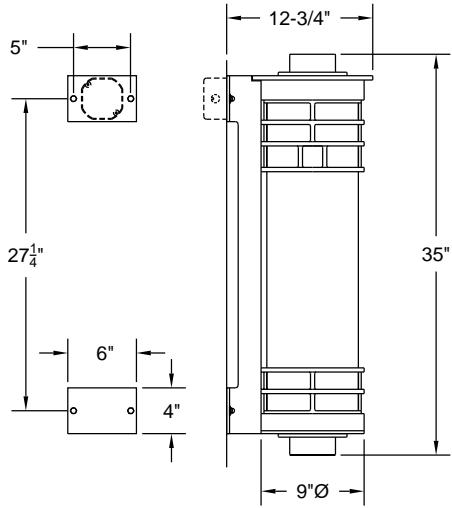
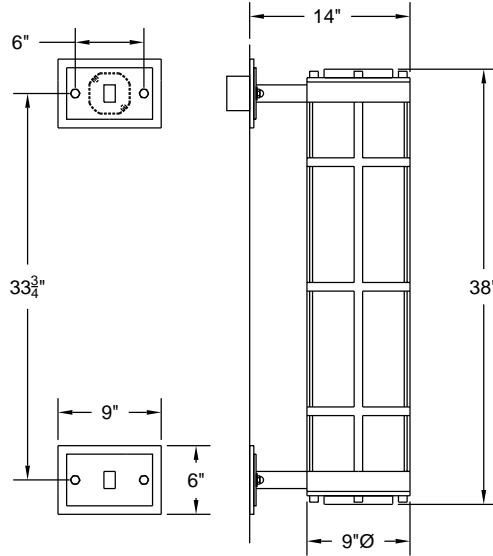


Exterior Wall Sconce 1065W-01



Model No. 1065W-01 Grill Style - 01



Model No. 1065W-01 Grill Style - 02

Specifications

1. Construction:

Exterior components: 1/2" thick CNC extruded aluminum. Heavy gauge spun aluminum caps, top and bottom. (2) 1/4" thick, aluminum mounting plates.

Interior components: Heavy gauge aluminum construction, powder coated reflective white.

2. Diffusers:

Minimum thickness 1/8" acrylic, extruded, gloss finish standard.

3. Lamps:

.See ordering guide for details. Lamps by others.
Min. CRI 80 recommended.

4. Ballasts:

Electronic, < 20% THD. HPF, Class P sound rating A, universal voltage. Low temp. applications down to 0°F (-18°C), lamp EOL (end of life) protection.

5. Mounting:

Fixture requires (4) 1/4-20 mounting studs, to structural wall, see ordering chart below for mounting distance. Electrical feed through 4" octagon box or liquid tight conduit. (by others)

6. Certification:

UL, cUL listed. Suitable for wet locations.

Ordering Guide

Body Light	Down Light	Weight	Voltage Options	Diffuser	Options	Finish*	Options		
01 (1) FT36W/2G11	None	30 Lbs.	120V 277V	White Acrylic Clear Frosted Acrylic	WA SA	Powder Coated Finishes			
02 (1) FT36W/2G11	(1) 75WPAR30S					Bonded Silver Metallic	PS		
03 (1) FT40W/2G11	None					Bonded Gray Metallic	PG		
04 (1) FT40W/2G11	(1) 75WPAR30S					Bonded Brass Metallic	PB		
05 (1) FT50W/2G11	None					Custom Color	PC		
Standard Metal Finishes									
06 (1) FT50W/2G11	(1) 75WPAR30S					Satin Aluminum	AS		
07 (1) FT55W/2G11	None					Anodized Aluminum	AA		
08 (1) FT55W/2G11	(1) 75WPAR30S								
09 (1) FT80W/2G11	None								
10 (1) FT80W/2G11	(1) 75WPAR30S								

* See metal finish section of catalog for color possibilities. Bonded Metallic Powder Coat equivalents available for most finishes.

- Fixture modifications and custom options available.

Order Number

(Sample option entry)

Fixture Model No.	Grill Style	Lamping	Voltage	Diffuser	Finish
1065W-01	01	02	120	WA	PS

(Your Specification)

--	--	--	--	--	--



www.inter-lux.com
www.almighting.com

